

# SM500F

## Videographic Recorders

### Spare parts

## 1 Introduction

This Parts List contains:

- Exploded diagrams of the SM500F Videographic Recorder for easy identification of replacement parts
- Spare Parts list
- Details of product upgrade kits that are designed to add extra features and functionality to the instruments
- Service kits
- Ancillary parts

## 2 Contents

<b>3 Replacement Parts</b> .....	<b>2</b>
Table 3.1 Parts List .....	2
Table 3.2 Parts List .....	3
<b>4 Upgrade Kits</b> .....	<b>5</b>

## 3 Replacement Parts

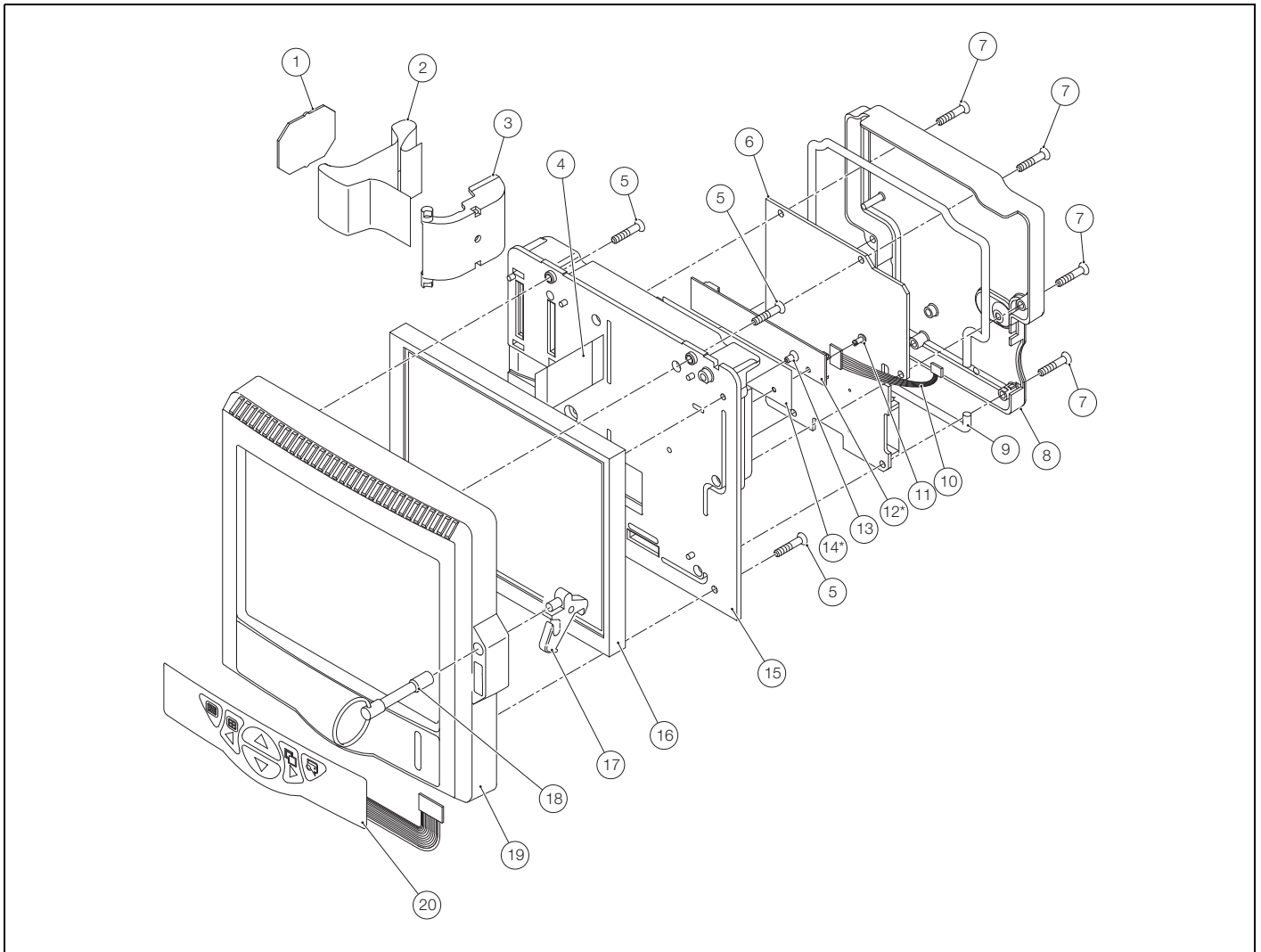


Fig. 3.1 Identification of Parts for the SM500F Videographic Recorder

Reference	Description	Parts List
1	Flexi-cable Retainer	SM500/0115
2	Flexi-cable	B12404
3	Cable Guide	SM500/0108
4	Flexi-cable	B12403
5	Screw	B12406
6	Processor Board Assembly Color	SM500/0716
	Processor Board Assembly Mono	SM500/0717
7	Screw	B12406
8	Lid	SM500/0116
9	Beryllium Copper Wire Mesh	B12424
10	Inverter Cable (Color only)	SM500/0071
11	Snap Rivet	B11894
12	Inverter (Color only)	SM500/0724
13	Screw	B12452

Table 3.1 Parts List

Reference	Description	Parts List
14	Inverter Insulator (Color only)	SM500/0126
15	Display Cover	SM500/0109
16	LCD Color Display	SM500/0720
	Monochrome Display	SM500/0721
17	Latch	SM500/0103
18	Key	SM500/0710
19	Display Housing Assembly (Color display)	SM500/0052
	Display Housing Assembly (Mono display)	SM500/0050
20	Membrane Switch	SM500/0180

Table 3.1 Parts List (Continued)

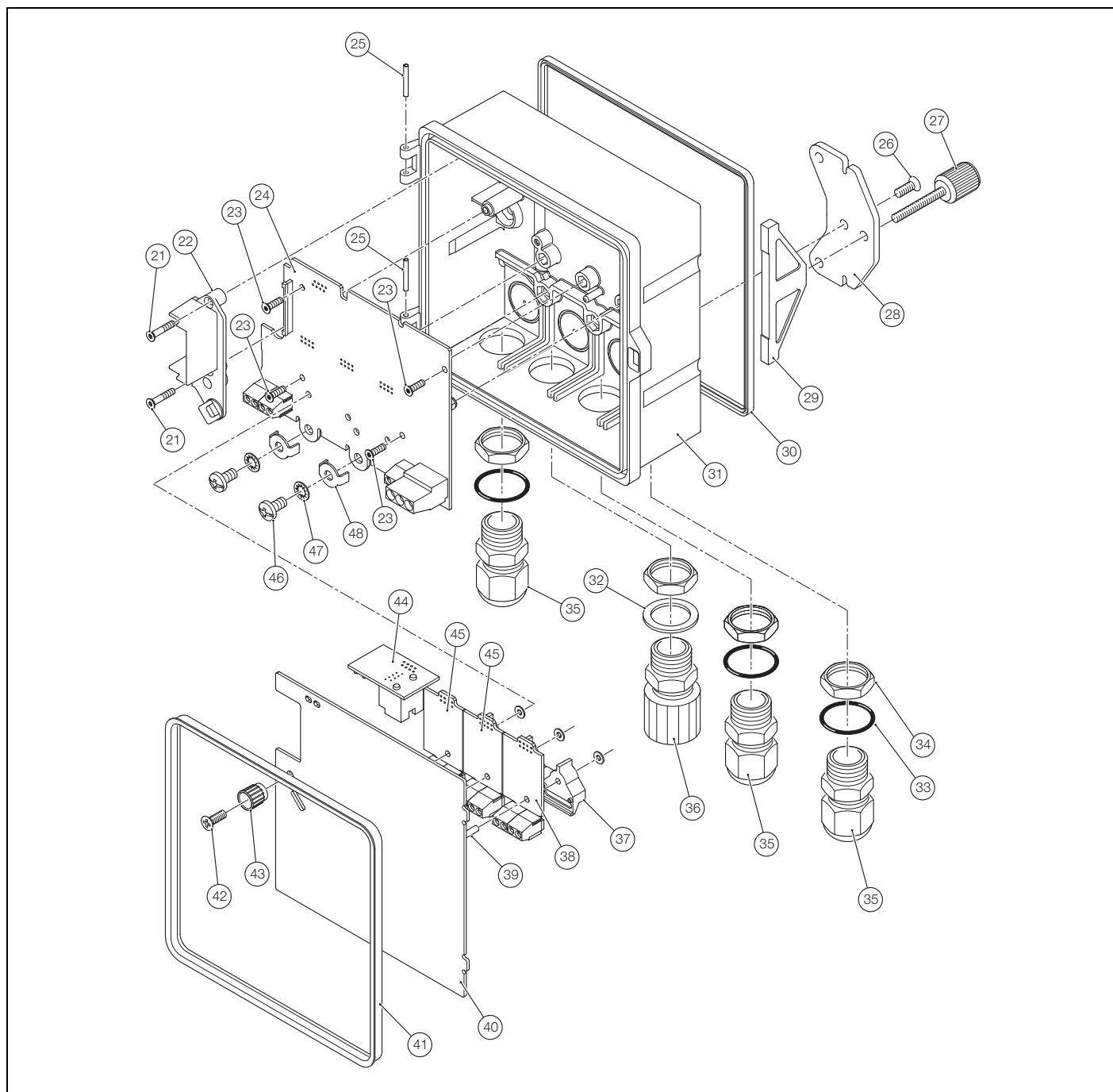


Fig. 3.2 Identification of Parts for the SM500F Videographic Recorder

Reference	Description	Part Number
21	Screw	B12406
22	Cable Guide Bracket	SM500/112
23	Screw	B12405
24	Motherboard (85 to 265 V)	SM500/0718
	Motherboard (24 V DC)	SM500/0719
25	Bissel Pin	B11344
26	Screw (Single Panel Clamp Kit Available – see Upgrade Kits)	B12407

Table 3.2 Parts List

Reference	Description	Part Number
27	Panel Clamp Screw (Single Panel Clamp Kit Available – see Upgrade Kits, page 5)	B12303
28	Case Flange (Single Panel Clamp Kit Available – see Upgrade Kits, page 5)	SM500/0102
29	Panel Clamp (Single Panel Clamp Kit Available – see Upgrade Kits, page 5)	SM500/01056
30	Panel Seal	PR100/0186

Table 3.2 Parts List (Continued)

Reference	Description	Part Number
31	Case Moulding	SM500/0100
32	Sealing Washer	B12302
33	O-Ring	0211179
34	Lock Nut	B12301
35	Standard Cable Gland Assembly	SM500/0715
36	Ethernet Cable Gland Assembly	SM500/0709
37	Module Board Support	SM500/0118
38	Analog Input Board Module Assembly	SM500/0700
	Transmitter Power Supply Board Assembly	SM500/0706
	2-Relay Module Board Assembly	SM500/0701
39	Screw	B12148
40	Terminal Cover Assembly (including items 42 and 43)	SM500/0054
	Terminal Cover (24 V DC) Assembly (including items 42 and 43)	SM500/0055
41	Case Seal	SM500/0127
42	Screw	B9988
43	Front Plate Knob	B12425
44	Ethernet Module Board Assembly	SM500/0245
45	Analog Input Board Assembly	SM500/0700
46	Screw	B12412
47	Lock Washer	B7401
48	Washer Clamp	B7428

Table 3.2 Parts List (Continued)

## 4 Upgrade Kits

Boards	Part Number
Analog Input Board Service Pack	SM500/0700
2-Relay Module Board Service Pack	SM500/0701
Ethernet Module Board Service Pack	SM500/0702
Transmitter Power Supply Board Service Pack	SM500/0706
Processor Board Assembly Replacement Pack (Color)	SM500/0716
Processor Board Assembly Replacement Pack (Mono)	SM500/0717
Motherboard Assembly Replacement Pack (85 to 265 V)	SM500/0718
Motherboard Assembly Replacement Pack (24 V DC)	SM500/0719
Color LCD Display Replacement Pack	SM500/0720
Monochrome Display Replacement Pack	SM500/0721
Color Display Door Assembly Replacement Pack	SM500/0722
Monochrome Display Door Assembly Replacement Pack	SM500/0723
Inverter Replacement Pack	SM500/0724

Accessories	Part Number
Single Panel Clamp Service Kit	SM500/0714
Key + Key ring Assembly Service Kit	SM500/0710
Cable Gland Pack	SM500/0707
Ethernet Cable Gland Pack	SM500/0708
Pipe-mounting Kit	SM500/0703

Software	Part Number
Totalizer Software Service Pack	SM500/0712
Math and Logic Software Service Pack	SM500/0711
Totalizer/Math and Logic Software Service Pack	SM500/0713

Manuals	Manuals
SM500F Instruction Manual (English)	IM/SM500F
SM500F Instruction Manual (German)	IM/SM500F-D
SM500F Instruction Manual (French)	IM/SM500F-F
SM500F Instruction Manual (Italian)	IM/SM500F-I
SM500F Instruction Manual (Spanish)	IM/SM500F-E

# Contact us

## **ABB Limited**

### **Process Automation**

Howard Road

St. Neots

Cambridgeshire PE19 8EU

UK

Tel: +44 (0)1480 475321

Fax: +44 (0)1480 217948

## **ABB Inc.**

### **Process Automation**

125 E. County Line Road

Warminster

PA 18974

USA

Tel: +1 215 674 6000

Fax: +1 215 674 7183

[www.abb.com](http://www.abb.com)

## Note

We reserve the right to make technical changes or modify the contents of this document without prior notice. With regard to purchase orders, the agreed particulars shall prevail. ABB does not accept any responsibility whatsoever for potential errors or possible lack of information in this document.

We reserve all rights in this document and in the subject matter and illustrations contained therein. Any reproduction, disclosure to third parties or utilization of its contents in whole or in parts – is forbidden without prior written consent of ABB.

Copyright© 2011 ABB

All rights reserved