

# RVG200

## Paperless recorder

### Upgrade kits and spare parts

## 1 Introduction

This parts list contains:

- details of product upgrade kits designed to add extra features and functionality to the recorder
- exploded diagram of the RVG200 paperless recorder for easy identification of spare parts

## 2 Upgrade kits

### 2.1 Accessories

Description	Part number
Single panel clamp assembly kit	RVG200/0711
Media door lock key replacement pack	RVG200/0712

Table. 2.1 Accessories

### 2.2 Software

Description	Part number
Batch software service pack	RVG200/0715
Math & Logic software service pack	RVG200/0716
Totalizer software service pack	RVG200/0717

Table. 2.2 Software

### 2.3 Packaging

Description	Part number
Packaging box (printed)	RVG200/0008
Packaging box (un-printed)	RVG200/0009
Packaging insert	RVG200/0010

Table. 2.3 Packaging

### 2.4 Manuals

Description	Part number
English	OI/RVG200-EN
German	OI/RVG200-DE
French	OI/RVG200-FR
Italian	OI/RVG200-IT
Spanish	OI/RVG200-ES
Chinese	OI/RVG200-ZH

Table. 2.4 Manuals

## 2.5 Hardware

Description	Part number
6-Channel analog input upgrade kit	RVG200/0700
Hybrid module upgrade kit	RVG200/0701
6-Relay module upgrade kit	RVG200/0702
Memory expansion pack upgrade kit	RVG200/0706
Display / touchscreen spares kit (ABB)	RVG200/0707
Power supply assembly spares kit	RVG200/0708
Base board assembly spares kit	RVG200/0709
Processor module assembly spares kit	RVG200/0710
Single panel clamp assembly spares kit	RVG200/0711
Media door lock and keys replacement pack	RVG200/0712
Media door assembly replacement pack	RVG200/0713
Display / touchscreen spares kit (blank)	RVG200/0714

Table. 2.5 Manuals

## 3 Replacement parts

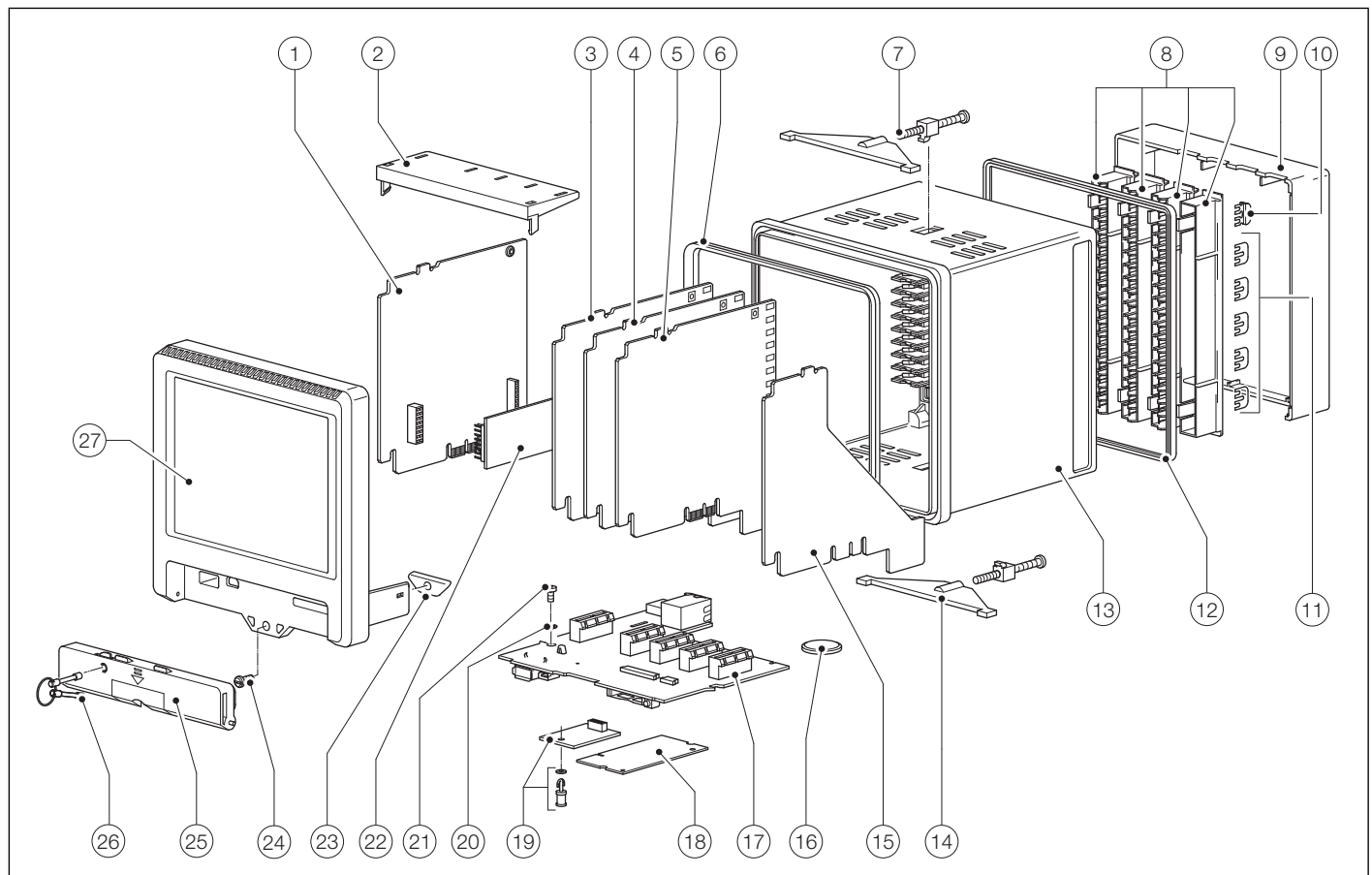


Fig. 3.1 Identification of parts

Item No.	Description	Part number
1	Power supply assembly spares kit	RVG200/0708
2	PCB clamp bar	RVG200/0104
3	6-channel analog input board upgrade kit*	RVG200/0700
	Hybrid module board upgrade kit	RVG200/0701
	Relay module board upgrade kit	RVG200/0702
4	6-channel analog input board upgrade kit*	RVG200/0700
	Hybrid module board upgrade kit	RVG200/0701
	Relay module board upgrade kit	RVG200/0702
5	6-channel analog input board upgrade kit*	RVG200/0700
	Hybrid module board upgrade kit	RVG200/0701
	Relay module board upgrade kit	RVG200/0702
	Brace	RVG200/0117
6	Bezel seal	RVG200/0112
7	Panel clamp assembly	RVG200/0711
8	Terminal block assembly	RVG200/0051
	Blanking panel	RVG200/0107
9	Terminal cover	RVG200/0102
10	Thermistor	CM30/0052

Item No.	Description	Part number
11	CJ shorting link	RVG200/0118
12	Panel seal	PR100/0186
13	Case assembly	RVG200/0050
14	Single panel clamp assembly spares kit	RVG200/0711
15	Brace	RVG200/0117
16	Battery	B12454
17	Base board assembly spares kit	RVG200/0709
18	Processor module assembly spares kit	RVG200/0710
19	Memory expansion pack upgrade kit	RVG200/0706
20	Lock washer	B6421
21	Screw	B7040
22	RS485 Modbus communications module assembly upgrade kit	RVG200/0703
23	Jacking screw clip	GR2000/0129
24	Jacking screw	RVG200/0113
25	Media door assembly replacement pack	RVG200/0713
26	Media door lock and keys replacement pack	RVG200/0712
27	Display / touch-screen spares kit (ABB)	RVG200/0707
	Display / touchscreen spares kit (blank)	RVG200/0714

Table. 3.1 Parts list

\*6-Channel analog input upgrade kits include item numbers:

11 (CJ shorting link),

10 (thermistor)

8 (terminal block assembly)

# Contact us

## **ABB Limited**

### **Process Automation**

Howard Road

St. Neots

Cambridgeshire PE19 8EU

UK

Tel: +44 (0)1480 475321

Fax: +44 (0)1480 217948

## **ABB Inc.**

### **Process Automation**

125 E. County Line Road

Warminster

PA 18974

USA

Tel: +1 215 674 6000

Fax: +1 215 674 7183

[www.abb.com](http://www.abb.com)

## Note

We reserve the right to make technical changes or modify the contents of this document without prior notice. With regard to purchase orders, the agreed particulars shall prevail. ABB does not accept any responsibility whatsoever for potential errors or possible lack of information in this document.

We reserve all rights in this document and in the subject matter and illustrations contained therein. Any reproduction, disclosure to third parties or utilization of its contents in whole or in parts – is forbidden without prior written consent of ABB.

Copyright© 2013 ABB

All rights reserved