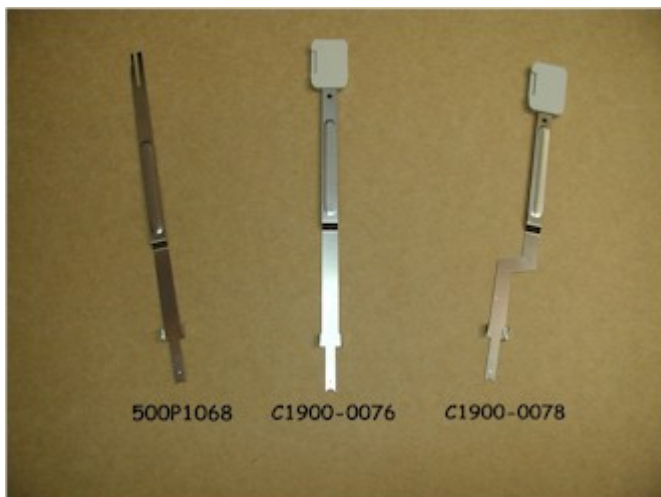


## Commander C1900, 1900 ER/C, and Fulscope Series Felt Tip Pens

Sold in packs of 5 pens each



| Pen Color | #1<br>1/2" Pen             | #2<br>3/4" Pen             | #3<br>1/4" Pen             | #4<br>1" Pen | Event #4<br>1" Pen |
|-----------|----------------------------|----------------------------|----------------------------|--------------|--------------------|
| Red       | 500S1150-1<br>(C1900-0121) |                            |                            |              |                    |
| Green     |                            | 500S1150-2<br>(C1900-0122) |                            |              |                    |
| Blue      |                            |                            | 500S1150-3<br>(C1900-0120) |              |                    |
| Purple    |                            |                            |                            |              | C1900-0123         |
| Black     |                            |                            |                            | C1900-0119   |                    |



### Notes:

- Pen arms are interchangeable for positions 1 thru 4
- Use 500P1068 pen arm for ER/C 1900 Series.
- Use C1900-0076 pen arm for C1900 Commander Series.
- Event pen arms are unique to the event option
- Use C1900-0078 event pen arm for C1900 Commander Series.

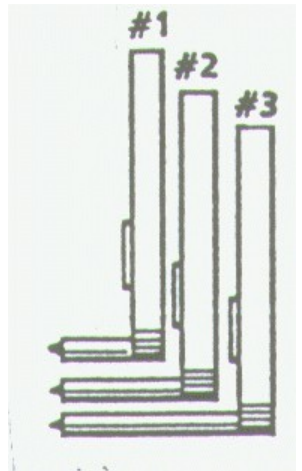
1204 Main Street • Sebastian, Florida 32958  
Phone: 772-581-0477 • Fax: 772-581-0481

## Taylor Fulscope 76J & 120R Series

### Felt Tip Pens and Ink

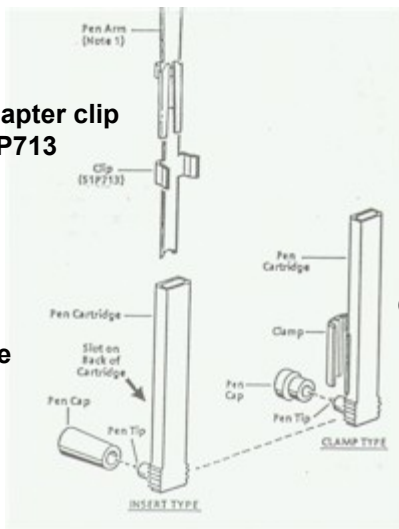
Pens for 1-, 2-, or 3-pen Instruments

| Pen Size | Insert Part #<br>(5 per pk) | Color     | Clamp Part #<br>(6 per pk) |
|----------|-----------------------------|-----------|----------------------------|
| 1/2 inch | 155S175-3                   | Red #1    | 82-39-0202-06              |
| 1/2 inch | 155S175-4                   | Blue #1   | 82-39-0203-06              |
| 3/4 inch | 155S175-5                   | Red #2    | 82-39-0302-06              |
| 3/4 inch | 155S175-6                   | Blue #2   | 82-39-0303-06              |
| 1 inch   | 155S175-8                   | Purple #3 | 82-39-0406-06              |



Adapter clip  
51P713

Insert Type



Clamp Type

Insert type sold in packs of 5

Clamp type sold in packs of 6

Adapter clip part number 51P713

### Ink for older model Taylor Fulscope Recorders

| Part No. | Description          |
|----------|----------------------|
| Red ink  | Generic 1 oz. bottle |

