



EN100 Wall Mounting Electronic-Pneumatic Control Package

Complete controller replacement system for pneumatic controllers

Features

- ◆ **NEMA 4X Rated Corrosion Resistant Fiberglass Construction**
-provides waterproof protection for controller and I/P
- ◆ **Front Opening Door with Quick Release Latches**
-easy access to rear of controller and wiring
- ◆ **Installs Quickly and Easily**
-mounting feet for wall surface, bulkhead fittings for air and electrical fittings all provided
- ◆ **Air Output Gage**
-provides indication of I/P output to valve at any time
- ◆ **Ready For Operation**
-controller configured for your application along with RTD sensor or pressure transmitter wired and tested
- ◆ **1/8 DIN Model Options**
-Versions are also available for 1/8 Din size controllers and indicators

The EN100 Electronic-Pneumatic Control Package is the perfect replacement for older temperature and pressure pneumatic controls such as the **Taylor 440R** series. It is also great for use in areas where a local control is needed and there is not an existing control panel. The wall mounting enclosure provides NEMA 4X protection for the controller and the I/P converter that is mounted inside. The controller features a bright, easy to read display of the process and set point while the I/P provides the air signal for the control valve. An output gage below the controller reads air output to the valve.

The EN100 features bulkhead air fitting connections making installation quick and easy. Combine the EN100 with an **ABB CM30**, I/P, and an RTD sensor for temperature or a transmitter to measure pressure. The controller is set up and programmed for your application to get you up and running quickly. You need only to supply power and air for the control valve.

Wisner Controls builds and stocks standard models and will also make any type of custom enclosures package for your application.



EN100-14-IP model pictured with an ABB CM30 ControlMaster

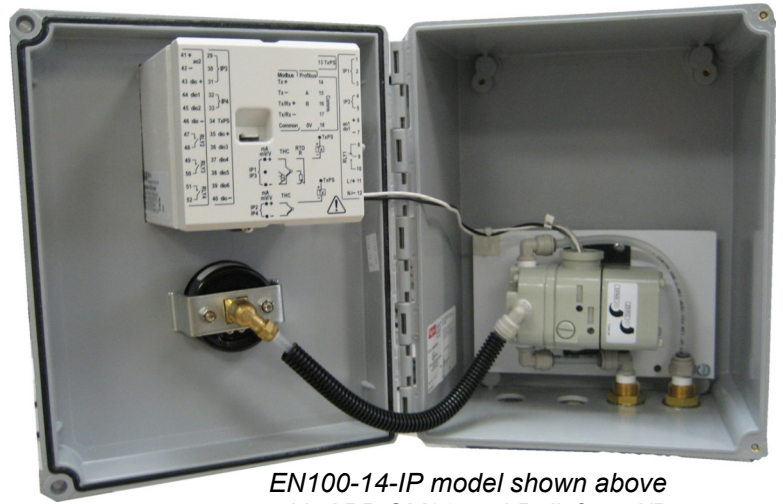
Easy installation, low cost, weather-proof controller package



EN100 Control Package

The EN100 is available in several different configurations. They all feature a tough NEMA4X fiberglass polyester construction with full front opening door and quick release latches. Mounting feet are located at each corner for easy wall mounting. 1/2" conduit electrical connections are provided along with 1/4" npt bulkhead fittings for the I/P if required.

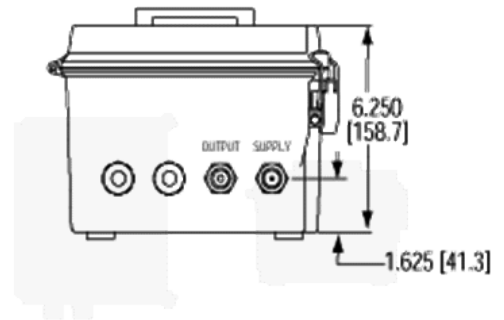
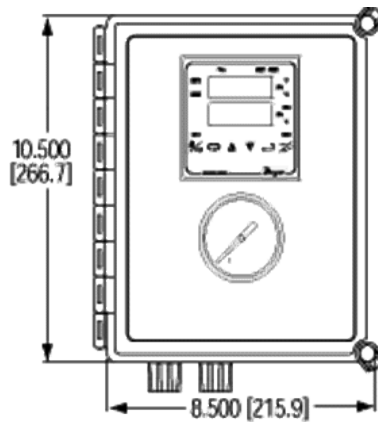
This complete package saves time and money and allows for easy replacement of older pneumatic controllers or for new applications where there is not an existing control panel.



EN100-14-IP model shown above with ABB CM30 and Bellofram I/P



EN100-18-00 version shown above with an ABB CM10 ControlMaster



Model Number	Description
EN100-14-IP	Fiberglass NEMA 4X wall mounting enclosure (10"x 8"x 6") includes 1/4 DIN size cut out, 0 to 30 PSI output gage, air fittings and connectors. Controller and I/P will be mounted, piped, wired and tested. (controller and I/P sold separately)
EN100-18-IP	Fiberglass NEMA 4X wall mounting enclosure (10"x 8"x 6") Same as above but with 1/8 DIN size controller. (controller and I/P sold separately)
EN100-14-00	Fiberglass NEMA 4X wall mounting enclosure (10"x 8"x 6") includes 1/4 DIN size cut out and cord connectors. For applications requiring 4-20 ma or relay output control. (controller sold separately)
EN100-18-00	Fiberglass NEMA 4X wall mounting enclosure (10"x 8"x 6") Same as above but with 1/8 DIN size cut out and cord connectors. (controller sold separately)
EN100-18H	Fiberglass NEMA 4X wall mounting enclosure (10"x 8"x 6") includes 1/8 DIN size cut out and cord connectors in a horizontal position for use as an indicator (indicator sold separately)

ABB CM30 ControlMaster and Bellofram I/P's available separately. RTD temperature sensors or pressure transmitters to complete your control package are also available .

1204 Main Street • Sebastian, Florida 32958
Phone: 772-581-0477 • Fax: 772-581-0481