

ControlMaster CM10, CM30, CM50 and CM15

Universal process controllers and indicator

Spare parts

1 Contents

Overview	1
Parts identification	2
CM10	2
CM15	4
CM30	6
CM50	8
Service/upgrade kits	10

2 Overview

This parts list contains exploded diagrams of the ControlMaster Universal Process Controllers for easy identification of spare parts.

3 Parts identification

3.1 CM10

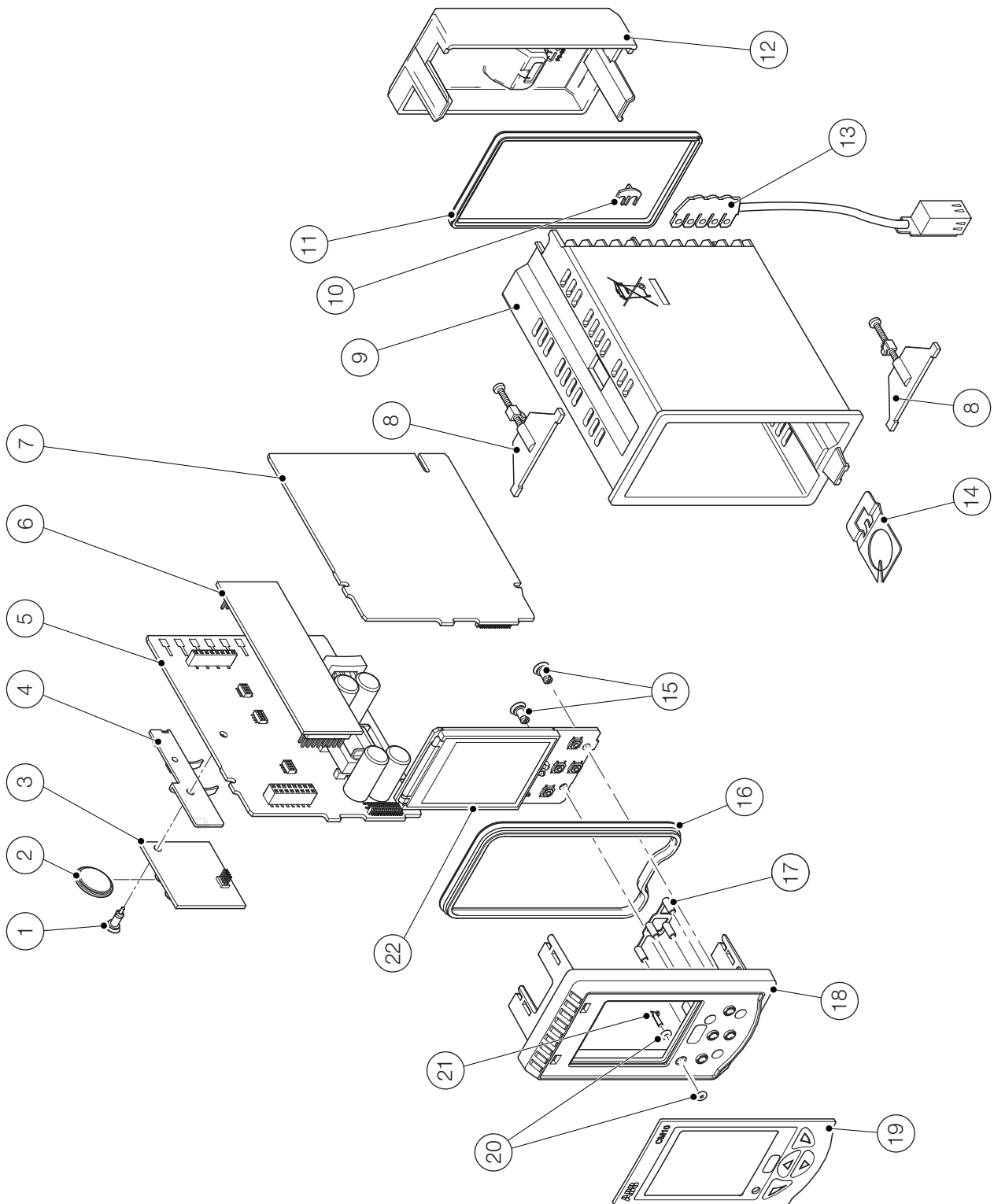


Fig. 3.1 Identification of Parts – CM10

Item No.	Description	Part Number
1	Snap Rivet	B11780
2	Battery	B12792
3	Type 1 Function Key (including items 1, 2, & 4)	CM30/0706
4	Function Key Support	CM30/0120
5	Mainboard	CM30/0701
	Mainboard (24 V DC)	CM30/0702
6	RS485 Communications Module	CM30/0305
	Ethernet Communications Module	CM30/0295
	Profibus Communications Module	CM30/0315
7	Option Board 1a (1 Relay)	CM30/0703
	Option Board 1 (1 Analog O/P, 2 Digital I/O & 3 Relays)	CM30/0704
8	Single Panel Clamp Assembly	CM10/0711
9	Case Moulding	CM10/0056
10	Thermistor Assembly	CM30/0052
11	Panel Seal	CM10/0106
12	Terminal Cover	CM10/0115
13	Ethernet Cable Assembly	CM30/0070
14	Bezel Release Tool	CM30/0114
15	Snap Rivet	B12722
16	Bezel Seal (including Display Dust Gasket)	CM10/0105
17	Switch Extender	CM10/0107
18	Bezel	CM10/0053
19	Membrane Overlay	CM10/0180
	Membrane Overlay (Blank)	CM10/0181
20	'O' ring	B12794
21	Light Guide	CM30/0112
22	Display & Processor Board Assembly	CM10/0700

Table 3.1 Key to Fig. 3.1

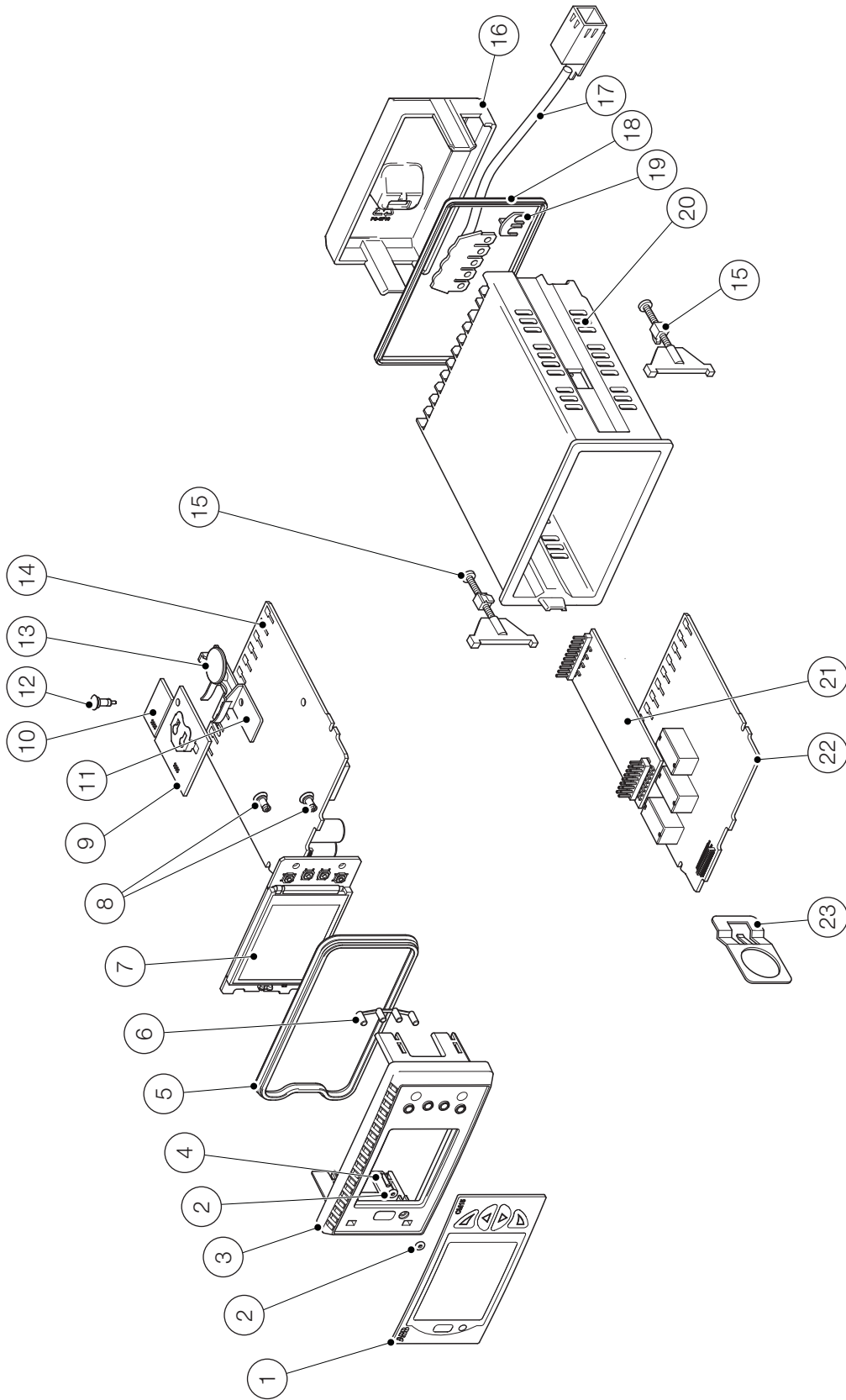


Fig. 3.2 Identification of Parts – CM15

Item No.	Description	Part Number
1	Membrane Overlay	CM15/0180
	Membrane Overlay Blank	CM15/0181
2	O ring	B12794
3	Bezel Moulding (including Display Dust Gasket)	CM15/0053
4	Light Guide	CM30/0112
5	Bezel Seal	CM10/0105
6	Switch Extender	CM15/0107
7	Display & Processor Board Assembly	CM15/0700
8	Snap Rivet	B12722
9	Type 1 Function Key (including items 11,12 & 13)	CM30/0706
10	Type 2 Function Key	CM30/0707
11	Function Key Support	CM30/0120
12	Snap Rivet	B11780
13	Battery	B12792
14	Mainboard	CM30/0701
	Mainboard (24 V DC)	CM30/0702
15	Single Panel Clamp Assembly	CM10/0711
16	Terminal Cover	CM10/0115
17	Ethernet Cable Assembly	CM30/0070
18	Panel Seal	CM10/0106
19	Thermistor Assembly	CM30/0052
20	Case Assembly	CM10/0056
21	RS485 Communications Module	CM30/0305
	Ethernet Communications Module	CM30/0295
	Profibus Communications Module	CM30/0315
22	Option Board 1a (1 Relay)	CM30/0703
	Option Board 1 (1 Analog O/P, 2 Digital I/O & 3 Relays)	CM30/0704
23	Bezel Release Tool	CM30/0114

Table 3.2 Key to Fig. 3.2

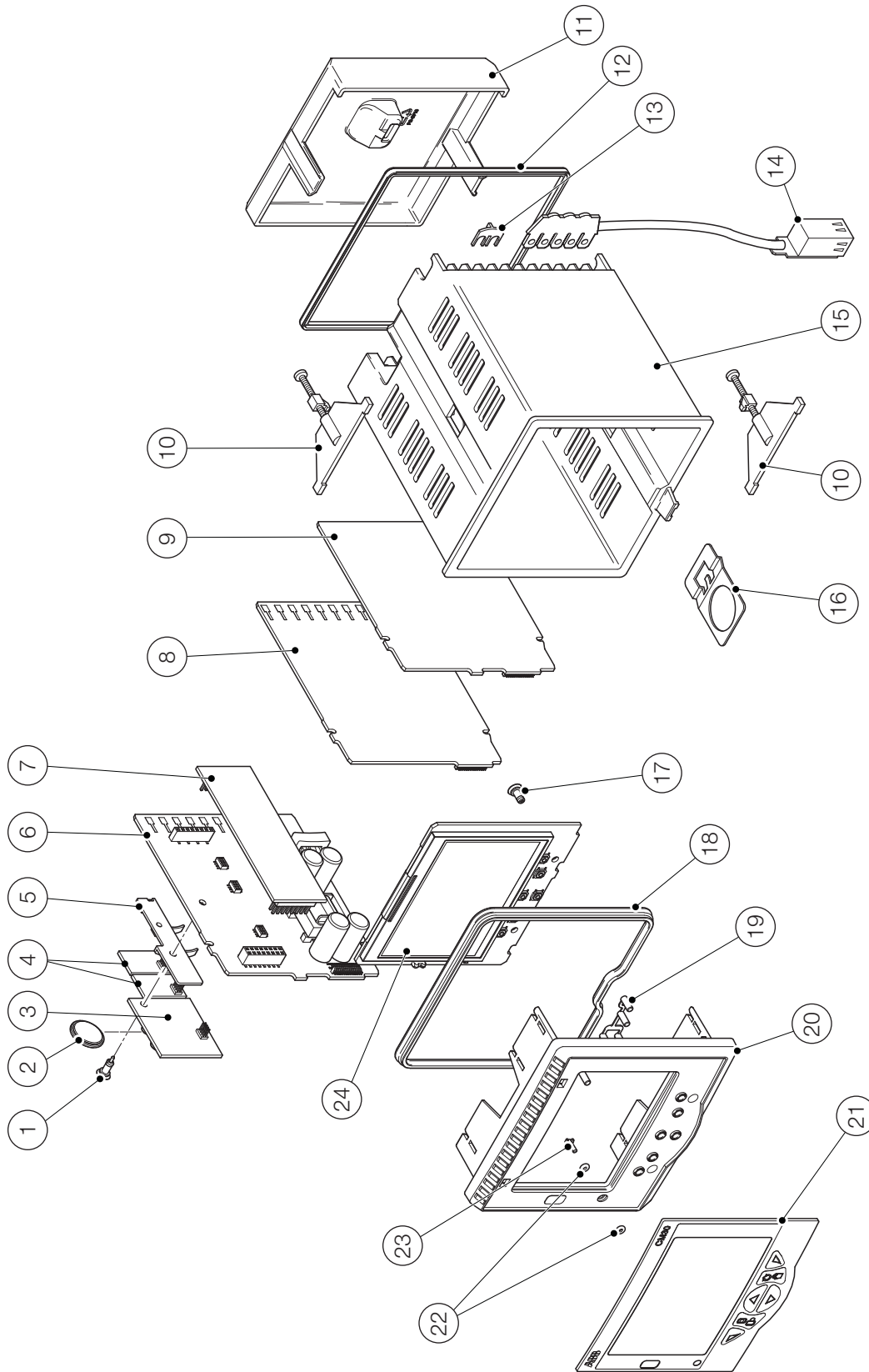


Fig. 3.3 Identification of Parts – CM30

Item No.	Description	Part Number
1	Snap Rivet	B11780
2	Battery	B12792
3	Type 1 Function Key (including items 1, 2 & 5)	CM30/0706
4	Type 2 Function Key	CM30/0707
5	Function Key Support	CM30/0120
6	Mainboard	CM30/0701
	Mainboard (24 V DC)	CM30/0702
7	RS485 Communications Module	CM30/0305
	Ethernet Communications Module	CM30/0295
	Profibus Communications Module	CM30/0315
8	Option Board 1a (1 Relay)	CM30/0703
	Option Board 1 (1 Analog O/P, 2 Digital I/O & 3 Relays)	CM30/0704
9	Option Board 2 (2 Analog I/P & 4 Digital I/O)	CM30/0705
10	Single Panel Clamp Assembly	CM30/0711
11	Terminal Cover	CM30/0115
12	Panel Seal	CM30/0106
13	Thermistor Assembly	CM30/0052
14	Ethernet Cable Assembly	CM30/0070
15	Case Assembly	CM30/0056
16	Bezel Release Tool	CM30/0114
17	Snap Rivet	B12722
18	Bezel Seal	CM30/0105
19	Switch Extender	CM30/0107
20	Bezel Assembly (including Display Dust Gasket)	CM30/0053
21	Membrane Overlay	CM30/0180
	Membrane Overlay Blank	CM30/0181
22	O ring	B12794
23	Light Guide	CM30/0112
24	Display & Processor Assembly	CM30/0700

Table 3.3 Key to Fig. 3.3

3.4 CM50

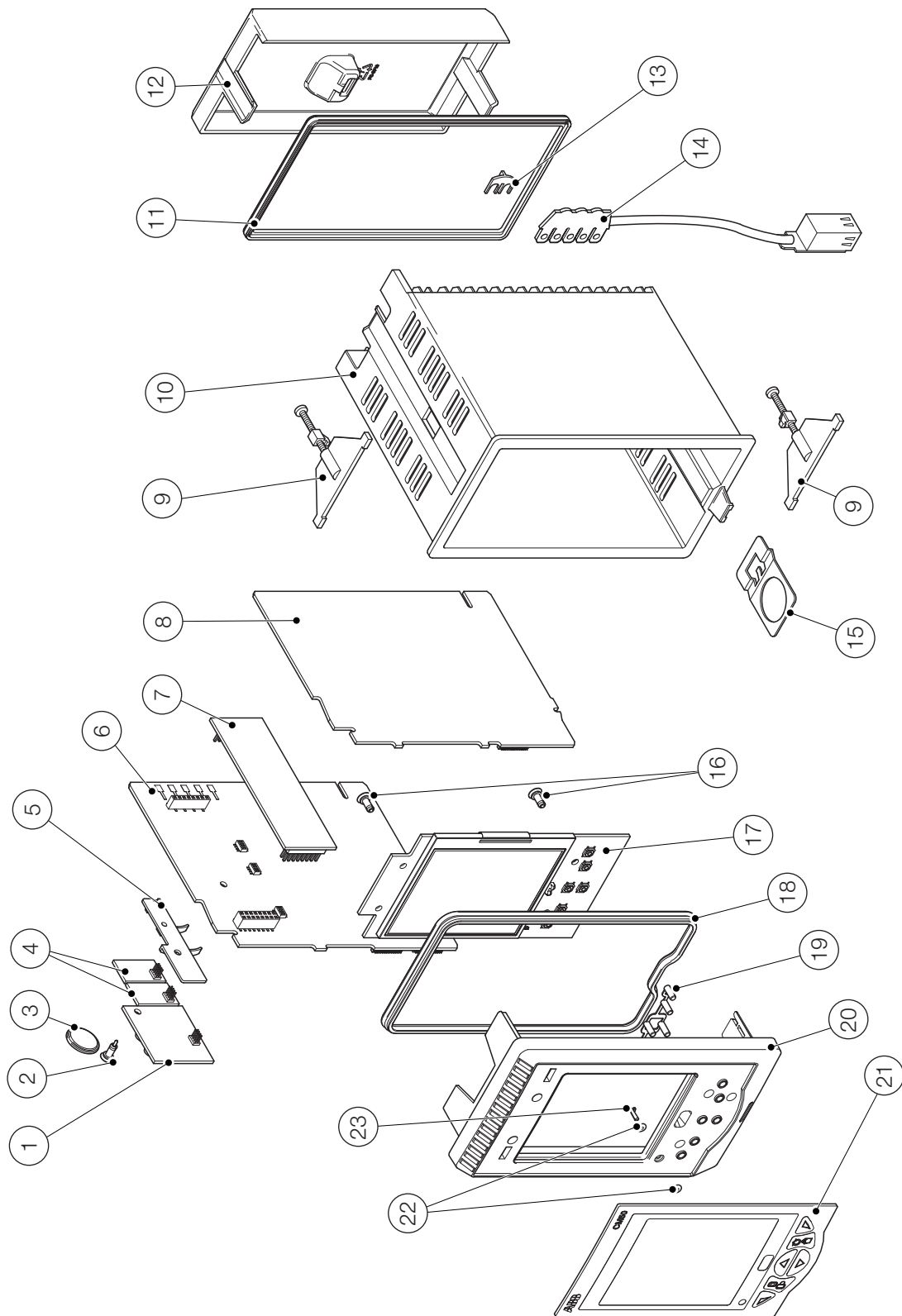


Fig. 3.4 Identification of Parts – CM50

Item No.	Description	Part Number
1	Type 1 Function Key (including items 2, 3 & 5)	CM30/0706
2	Snap Rivet	B11780
3	Battery	B12792
4	Type 2 Function Key	CM30/0707
5	Function Key Support	CM30/0120
6	Mainboard	CM50/0701
	Mainboard (24 V DC)	CM50/0702
7	RS485 Communications Module	CM30/0305
	Ethernet Communications Module	CM30/0295
	Profibus Communications Module	CM30/0315
8	Option Board 1 (2 Analog I/P, 4 Digital I/O, 1 Analog O/P & 2 Relays)	CM50/0703
9	Single Panel Clamp Assembly	CM30/0711
10	Case Assembly	CM50/0056
11	Panel Seal	CM50/0106
12	Terminal Cover	CM50/0115
13	Thermistor Assembly	CM30/0052
14	Ethernet Cable Assembly	CM30/0070
15	Bezel Release Tool	CM30/0114
16	Snap Rivet	B12722
17	Display & Processor Board Assembly	CM50/0700
18	Bezel Seal	CM50/0105
19	Switch Extender	CM30/0107
20	Bezel Moulding (including Display Dust Gasket)	CM50/0053
21	Membrane Overlay	CM50/0180
	Membrane Overlay (Blank)	CM50/0181
22	O ring	B12794
23	Light Guide	CM30/0112

Table 3.4 Key to Fig. 3.4

4 Service/upgrade kits

Common

Type 1 Function Key Upgrade Kit	CM30/0706
Type 2 Function Key Upgrade Kit	CM30/0707
RS485 Communications Upgrade Kit	CM30/0708
Ethernet Communications Upgrade Kit	CM30/0709
Profibus Communications Upgrade Kit	CM30/0710
ControlMaster PC Configuration Kit (including IRDA to USB adaptor and mounting assembly)	CM30/0712
IRDA to USB Adaptor	B12895

CM10, CM15 & CM30

Main Board Replacement Kit	CM30/0701
Main Board Replacement Kit (24 V DC)	CM30/0702
Option Board 1a – Single Relay Option Upgrade Kit	CM30/0703
Option Board 1 – 1 Analog O/P, 2 Digital I/O & 3 Relay Option Upgrade Kit	CM30/0704

CM10 & CM15

DIN Rail Mounting Kit	CM10/0715
Single Panel Clamp Assembly	CM10/0711

CM30 & CM50

Single Panel Clamp Assembly	CM30/0711
-----------------------------	-----------

CM10

Display & Processor Board Replacement Kit	CM10/0700
---	-----------

CM15

Display & Processor Board Replacement Kit	CM15/0700
---	-----------

CM30

Display & Processor Board Replacement Kit	CM30/0700
Option Board 2 – 2 Analog I/P & 4 Digital I/O	CM30/0705

CM50

Display & Processor Board Replacement Kit	CM50/0700
Main Board Replacement Kit	CM50/0701
Main Board Replacement Kit (24 V DC)	CM50/0702
Option Board 1 – 2 Analog I/P, 1 Analog O/P, 4 Digital I/O & 2 Relay Option Upgrade Kit	CM50/0703

Manuals

User Manual (Base Functionality) – CM10, CM30 & CM50	IM/CM/B-EN
User Manual (Standard Functionality) – CM10, CM30 & CM50	IM/CM/S-EN
User Manual (Extended/Dual Functionality) – CM30 & CM50	IM/CM/ED-EN
User Manual (Indicator Functionality) – CM15	IM/CM/I-EN
Communications Supplement – CM10, CM15, CM30 & CM50	IM/CM/C-EN

Packaging

CM30 & CM50 Outer Box	CM30/0008
CM30 & CM50 Outer Box-unprinted	CM30/0009
CM30 & CM50 Internal Insert	CM30/0010
CM10 & CM15 Outer Box	CM10/0008
CM10 & CM15 Outer Box-unprinted	CM10/0009

Products and customer support

Automation Systems

For the following industries:

- Chemical & Pharmaceutical
- Food & Beverage
- Manufacturing
- Metals and Minerals
- Oil, Gas & Petrochemical
- Pulp and Paper

Drives and Motors

- AC and DC Drives, AC and DC Machines, AC Motors to 1kV
- Drive Systems
- Force Measurement
- Servo Drives

Controllers & Recorders

- Single and Multi-loop Controllers
- Circular Chart and Strip Chart Recorders
- Paperless Recorders
- Process Indicators

Flexible Automation

- Industrial Robots and Robot Systems

Flow Measurement

- Electromagnetic Flowmeters
- Mass Flowmeters
- Turbine Flowmeters
- Wedge Flow Elements

Marine Systems & Turbochargers

- Electrical Systems
- Marine Equipment
- Offshore Retrofit and Refurbishment

Process Analytics

- Process Gas Analysis
- Systems Integration

Transmitters

- Pressure
- Temperature
- Level
- Interface Modules

Valves, Actuators and Positioners

- Control Valves
- Actuators
- Positioners

Water, Gas & Industrial Analytics Instrumentation

- pH, Conductivity and Dissolved Oxygen Transmitters and Sensors
- Ammonia, Nitrate, Phosphate, Silica, Sodium, Chloride, Fluoride, Dissolved Oxygen and Hydrazine Analyzers
- Zirconia Oxygen Analyzers, Katharometers, Hydrogen Purity and Purge-gas Monitors, Thermal Conductivity

Customer support

We provide a comprehensive after sales service via a Worldwide Service Organization. Contact one of the following offices for details on your nearest Service and Repair Centre.

UK

ABB Limited

Tel: +44 (0)1480 475321

Fax: +44 (0)1480 217948

USA

ABB Inc.

Tel: +1 215 674 6000

Fax: +1 215 674 7183

Client Warranty

Prior to installation, the equipment referred to in this manual must be stored in a clean, dry environment, in accordance with the Company's published specification. Periodic checks must be made on the equipment's condition. In the event of a failure under warranty, the following documentation must be provided as substantiation:

- A listing evidencing process operation and alarm logs at time of failure.
- Copies of all storage, installation, operating and maintenance records relating to the alleged faulty unit.

Contact us

ABB Limited

Process Automation

Howard Road

St. Neots

Cambridgeshire PE19 8EU

UK

Tel: +44 (0)1480 475321

Fax: +44 (0)1480 217948

ABB Inc.

Process Automation

125 E. County Line Road

Warminster

PA 18974

USA

Tel: +1 215 674 6000

Fax: +1 215 674 7183

www.abb.com

Note

We reserve the right to make technical changes or modify the contents of this document without prior notice. With regard to purchase orders, the agreed particulars shall prevail. ABB does not accept any responsibility whatsoever for potential errors or possible lack of information in this document.

We reserve all rights in this document and in the subject matter and illustrations contained therein. Any reproduction, disclosure to third parties or utilization of its contents in whole or in parts – is forbidden without prior written consent of ABB.

Copyright© 2012 ABB

All rights reserved