

Replacement Parts and Upgrade Kits for C1900 and C1300 Circular Chart

Overview

This parts list contains:

- exploded diagrams of the C1900 and C1300 Circular Chart Recorders for easy identification of spare parts
- details of product upgrade kits that are designed to add extra features and functionality to the instrument

Contents

1. Replacement Parts	2
1.1 Identification of Parts – C1900 Case Components	2
1.2 Identification of Parts – C1900 Internal Components.....	4
1.3 Identification of Parts – C1300 Case Components	7
1.4 Identification of Parts – C1300 Internal Components.....	10
2. Upgrade Kits	12
3. Notes	13

1 Replacement Parts

1.1 Identification of Parts — C1900 Case Components Fig. 1.1

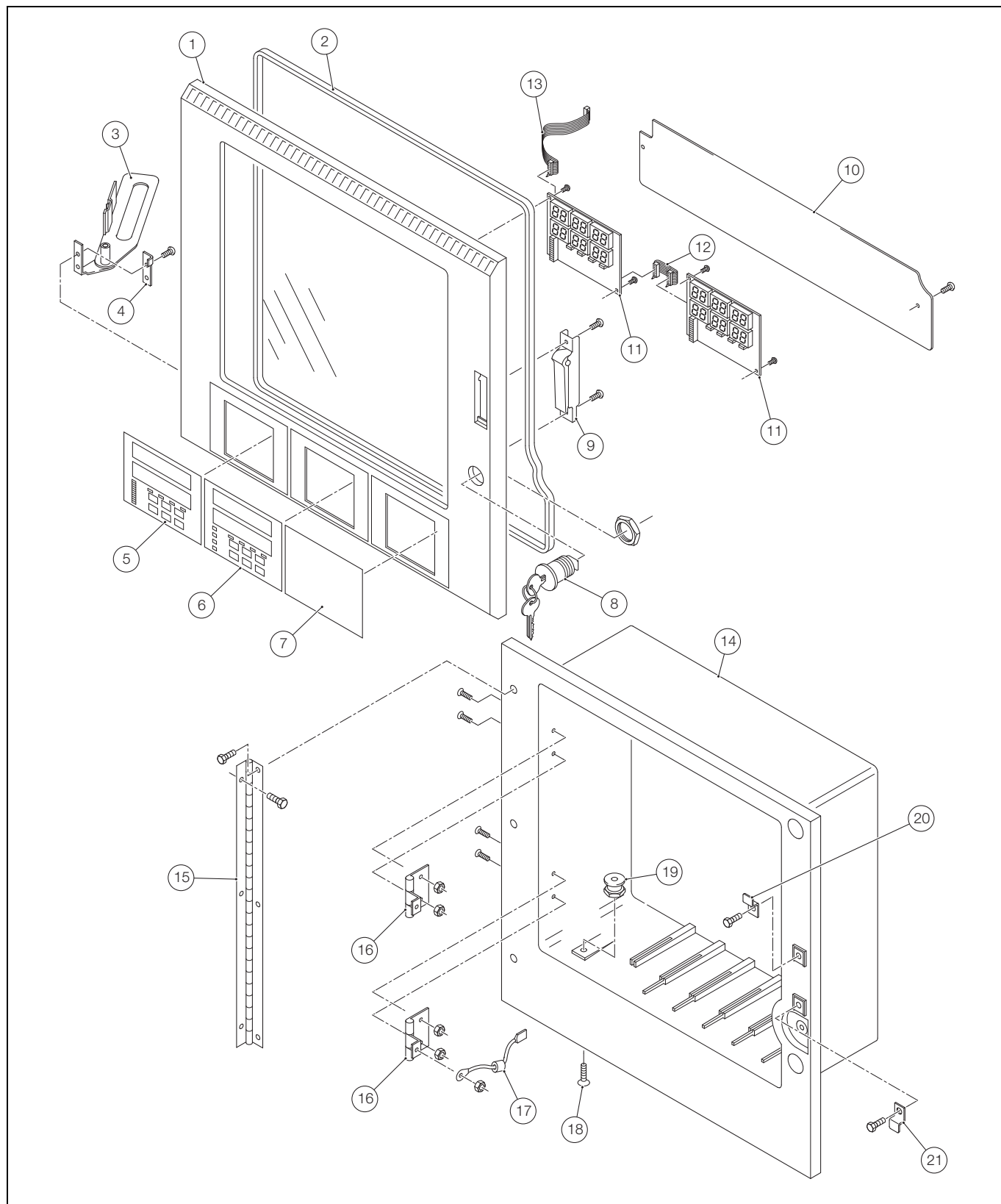


Table 1.1 Replacement Parts List – Fig. 1.1

Item No.	Description	Part Number
1	Door assembly without lock	C1900/0052
	Door assembly with lock (B12289)	C1900/0051
2	Gasket	C1900/0137
3	Door stay retainer assembly (includes C1900/0238 – Door Stay Support Bracket)	C1900/0732
4	Door stay support bracket	C1900/0238
5	Record membrane	C1900/0236
	Control membrane	C1900/0235
	Pasteurizer membrane	C1900/0237
6	Record membrane	C1900/0236
	Control membrane	C1900/0235
	Pasteurizer membrane	C1900/0237
	Retort membrane	C1900/0242
	Blank membrane	C1900/0182
7	Record membrane	C1900/0236
	Retort membrane	C1900/0242
	Pasteurizer membrane	C1900/0237
	Blank membrane	C1900/0182
Note. When ordering membranes for instruments manufactured before April 2004 also order C1900/0189		
8	Door lock (optional)	B12289
9	Door latch assembly	C1900/0065
10	Face plate shield	C1900/0150
11	Display board assembly	C1900/0275
	Dairy/Retort display board assembly	C1900/0276
12	Ribbon cable assembly	PXR105/0176
13	Ribbon cable assembly	C1900/0053
14	Case assembly	C1900/0101A
15	Door hinge	C1900/0135
16	Chart plate hinge	C1900/0109
17	Earth braid assembly	C1900/0074
18	Door stay screw	B11855
19	Door stay anchor	C1900/0166
20	Latch	C1900/0134
21	Lock latch	C1900/0132

1.2 Identification of Parts – C1900 Internal Components Fig. 1.2

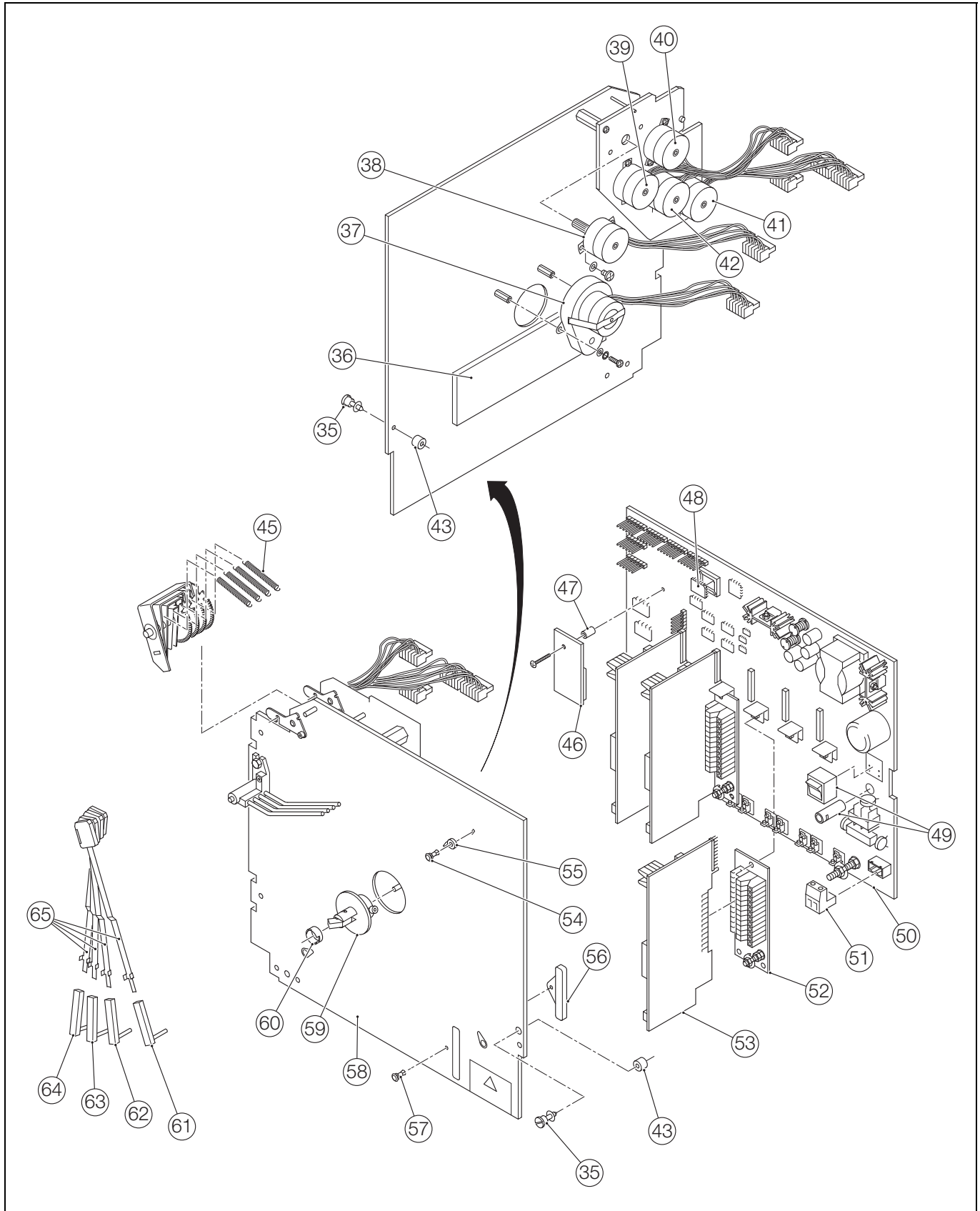


Table 1.2 C1900 Replacement Parts List – Fig. 1.2

Item No.	Description	Part Number
35	Chart plate screw	C1900/0110
36	Module board support strip	C1900/0193
37	Chart motor assembly	C1900/0073
38	Pen motor assembly	C1900/0070
39	Pen motor assembly	C1900/0070
40	Pen 4 motor assembly	C1900/0071
41	Pen lift motor assembly	C1900/0072
42	Pen motor assembly	C1900/0070
43	Spacer	B12283
45	Spring	C1900/0145
46	Software key (Controller Basic)	C1900/0330
	Software key (Controller Totalizer)	C1900/0331
	Software key (Controller Ramp/Soak)	C1900/0332
	Software key (Controller Math + Timer)	C1900/0333
	Software key (Controller Totalizer, Math + Timer)	C1900/0334
	Software key (Controller Totalizer, Ramp/Soak, Math + Timer)	C1900/0335
	Software key (Recorder Totalizer)	C1900/0336
	Software key (Recorder Math + Timer)	C1900/0337
	Software key (Recorder Totalizer, Math + Timer)	C1900/0338
	Software key (Recorder 1951 Dairy)	C1900/0353
	Software key (Controller 1952 Dairy)	C1900/0354
	Software key (Controller 1953 Dairy)	C1900/0355
	Software key (Controller Retort Type 'K')	C1900/0356
	Software key (Controller Advanced Control Type 'L')	C1900/0357
	Software key (Controller Basic) Mark II Main board (complete with screw and spacer)	C1900/1330
	Software key (Controller Totalizer) Mark II Main board (complete with screw and spacer)	C1900/1331
	Software key (Controller Ramp/Soak) Mark II Main board (complete with screw and spacer)	C1900/1332
	Software key (Controller Math + Timer) Mark II Main board (complete with screw and spacer)	C1900/1333
	Software key (Controller Totalizer, Math + Timer) Mark II Main board (complete with screw and spacer)	C1900/1334
	Software key (Controller Totalizer, Ramp/Soak, Math + Timer) Mark II Main board (complete with screw and spacer)	C1900/1335
	Software key (Recorder Totalizer) Mark II Main board (complete with screw and spacer)	C1900/1336
	Software key (Recorder Math + Timer) Mark II Main board (complete with screw and spacer)	C1900/1337
	Software key (Recorder Totalizer, Math + Timer) Mark II Main board (complete with screw and spacer)	C1900/1338
	Software key (Recorder 1951 Dairy) Mark II Main board (complete with screw and spacer)	C1900/1353
Software key (Controller 1952 Dairy) Mark II Main board (complete with screw and spacer)	C1900/1354	
Software key (Controller 1953 Dairy) Mark II Main board (complete with screw and spacer)	C1900/1355	
Software key (Controller Retort Type 'K') Mark II Main board (complete with screw and spacer)	C1900/1356	
Software key (Controller Advanced Control Type 'L') Mark II Main board (complete with screw and spacer)	C1900/1357	

Table 1.2 C1900 Replacement Parts List – Fig. 1.2

Item No.	Description	Part Number
47	Software key spacer (Mark II Main board only)	B12112
48	EPROM	C1900/2201
49	Safety isolator kit (230 V)	C1900/0710
	Safety isolator kit (115 V)	C1900/0709
50	Main board (115/230 V)	C1900/1714
	Main board Non-upgradeable (115/230 V)	C1900/1716
51	Mains plug	B10991
52	Terminal board	C1900/0305
53	Analog I/O module	C1900/1700
	Digital output module	C1900/0326
	Digital input module	C1900/0325
	4-relay module	C1900/0285
	Serial module	C1900/0295
	Analog I/P + relay module	C1900/1703
54	Snap rivet	B12172
55	Chart clip	C1900/0111
56	Compact Flash Cover	C1900/1186
57	Snap rivet	B11192
58	Chart plate (Kent) – Excluding Pen Motors	C1900/0055
	Chart plate (Taylor) – Excluding Pen Motors	C1900/0050
	Chart plate (Chessell) – Excluding Pen Motors	C1900/0058
	Chart plate Non-upgradeable (Kent) – Excluding Pen Motors	C1900/0059
	Chart plate Non-upgradeable (Taylor) – Excluding Pen Motors	C1900/0054
	Chart plate Non-upgradeable (Chessell) – Excluding Pen Motors	C1900/0062
	Four Pen Chartplate Assy (Kent)	C1900/0736
	Four Pen Chartplate Assy (Taylor)	C1900/0737
	Four Pen Chartplate Assy (Chessell)	C1900/0738
	Single Pen Chartplate Assy (Kent) (Non-Upgradeable)	C1900/0739
	Single Pen Chartplate Assy (Taylor) (Non-Upgradeable)	C1900/0740
	Single Pen Chartplate Assy (Chessell) (Non-Upgradeable)	C1900/0741
59	Kent Chart Centre Assembly → P105M/0052 + B11527	C1900/0066
	Taylor/Chessell Chart Centre Assembly → P105M/0052 + B11527 + C1900/0125	C1900/0067
60	Chart adaptor	C1900/0125
61	Pen capsule (purple) – (supplied in packs of 3)	C1900/0123
	Pen capsule (black) – (supplied in packs of 3)	C1900/0119
62	Pen capsule (green) – (supplied in packs of 3)	C1900/0122
63	Pen capsule (red) – (supplied in packs of 3)	C1900/0121
64	Pen capsule (blue) – (supplied in packs of 3)	C1900/0120

Table. 1.2 C1900 Replacement Parts List – Fig. 1.2

Item No.	Description	Part Number
65	Pen arm assembly (Taylor)	C1900/0076
	Pen arm assembly (Kent)	C1900/0075
	Event pen arm assembly (Taylor)	C1900/0078
	Event pen arm assembly (Kent)	C1900/0077

Identification of Parts – C1300 Case Components Fig. 1.3

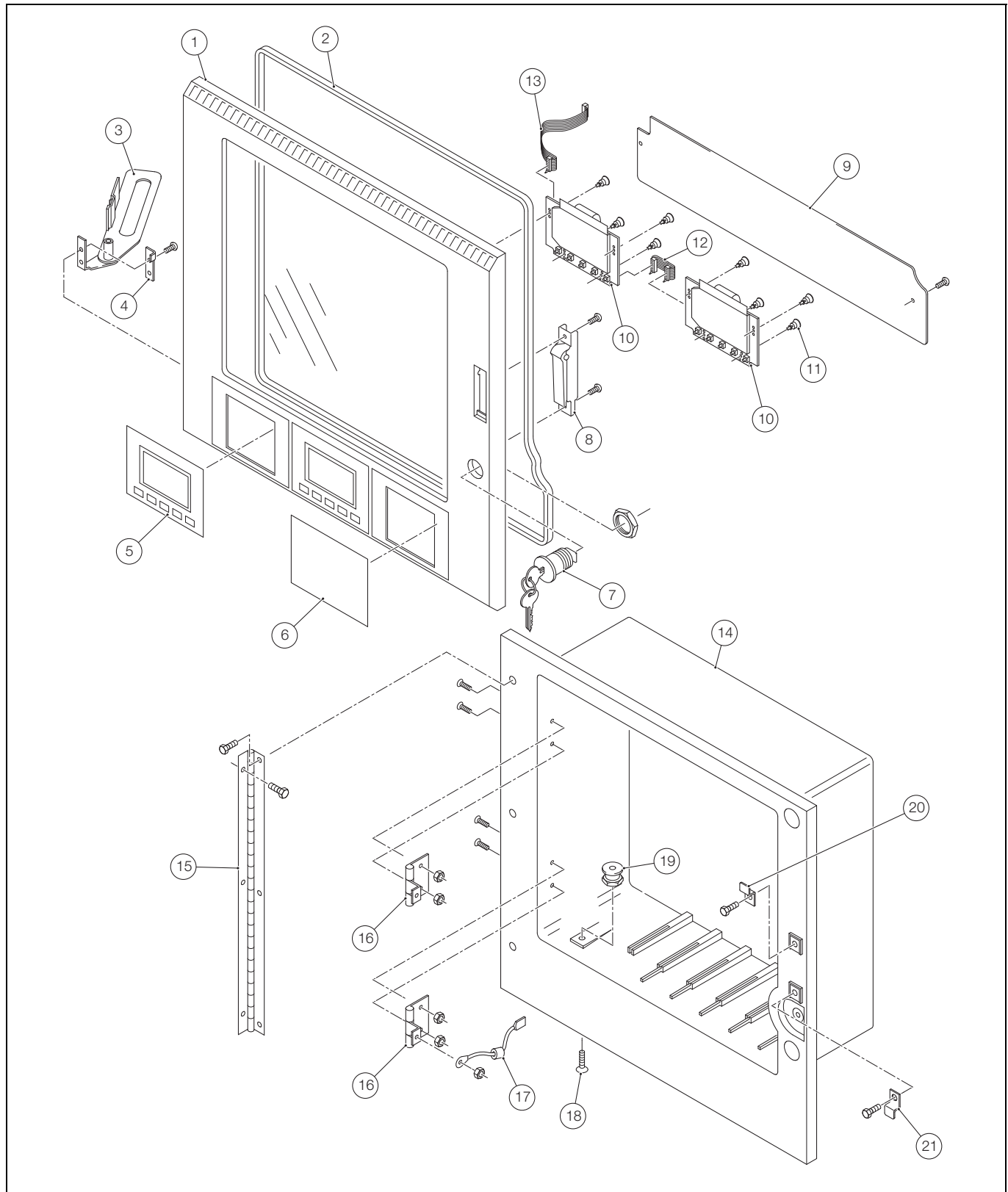


Table 1.3 C1300 Replacement Parts List – Fig. 1.3

Item No.	Description	Part Number
1	Door assembly — dark grey, glass window complete with lock (B12289) and NEMA 4X door gasket (C1900/0137)	C1900/1051
	Door assembly — ABB standard grey, glass window complete with lock (B12289) and NEMA 4X door gasket (C1900/0137)	C1900/1052
	Door assembly — dark grey, polycarbonate window complete with lock (B12289) and NEMA 4X door gasket (C1900/0137)	C1900/1053
	Door assembly — ABB standard grey, polycarbonate window complete with lock (B12289) and NEMA 4X door gasket (C1900/0137)	C1900/1054
	Door assembly — dark grey, glass window complete with lock (B12289) and IP54 door gasket (C1900/0112)	C1900/1055
	Door assembly — ABB standard grey, glass window complete with lock (B12289) and IP54 door gasket (C1900/0112)	C1900/1056
	Door assembly — dark grey, polycarbonate window complete with lock (B12289) and IP54 door gasket (C1900/0112)	C1900/1057
	Door assembly — ABB standard grey, polycarbonate window complete with lock (B12289) and IP54 door gasket (C1900/0112)	C1900/1058
	Door assembly — dark grey, glass window complete with NEMA 4X door gasket (C1900/0137)	C1900/1059
	Door assembly — ABB standard grey, glass window complete with NEMA 4X door gasket (C1900/0137)	C1900/1060
	Door assembly — dark grey, polycarbonate window complete with NEMA 4X door gasket (C1900/0137)	C1900/1061
	Door assembly — ABB standard grey, polycarbonate window complete with NEMA 4X door gasket (C1900/0137)	C1900/1062
	Door assembly — dark grey, glass window complete with IP54 door gasket (C1900/0112)	C1900/1063
	Door assembly — ABB standard grey, glass window complete with IP54 door gasket (C1900/0112)	C1900/1064
	Door assembly — dark grey, polycarbonate window complete with IP54 door gasket (C1900/0112)	C1900/1065
	Door assembly — ABB standard grey, glass window complete with IP54 door gasket (C1900/0112)	C1900/1066
2	Door gasket (IP54)	C1900/1112
	Door gasket (NEMA 4X)	C1900/0137
3	Door stay retainer assembly (includes C1900/0238 – Door Stay Support Bracket)	C1900/0732
4	Door stay support bracket	C1900/0238
5	Overlay (ABB standard grey)	C1900/1180
	Overlay (dark grey)	C1900/1181
6	Blank overlay (ABB standard grey) (when ordering also include C1900/1110)	C1900/0182
	Blank overlay (dark grey) (when ordering also include C1900/1110)	C1900/1182
7	Door lock (optional)	B12289
8	Door latch (ABB standard grey)	C1900/0065
	Door latch (black)	C1900/1704
9	Face plate shield	C1900/0150
10	Display kit	C1900/1728

Table. 1.3 C1300 Replacement Parts List – Fig. 1.3

Item No.	Description	Part Number
11	Snap rivets	B12282
12	Ribbon cable	PXR105/0176
13	Display ribbon cable	C1900/0053
14	Case assembly (ABB standard grey)	C1900/0101A
	Case assembly (dark grey)	C1900/0101B
15	Door hinge	C1900/0135
	Chart plate hinge	C1900/0109
	Earth braid assembly	C1900/0074
	Door stay screw	B11855
	Door stay anchor	C1900/0166
	Latch	C1900/0134
	Lock latch	C1900/0132
16	Chart plate hinge	C1900/0109
17	Earth braid assembly	C1900/0074
18	Door stay screw	B11855
19	Door stay anchor	C1900/0166
20	Latch	C1900/0134
21	Lock latch	C1900/0132

1.4 Identification of Parts – C1300 Internal Components Fig. 1.4

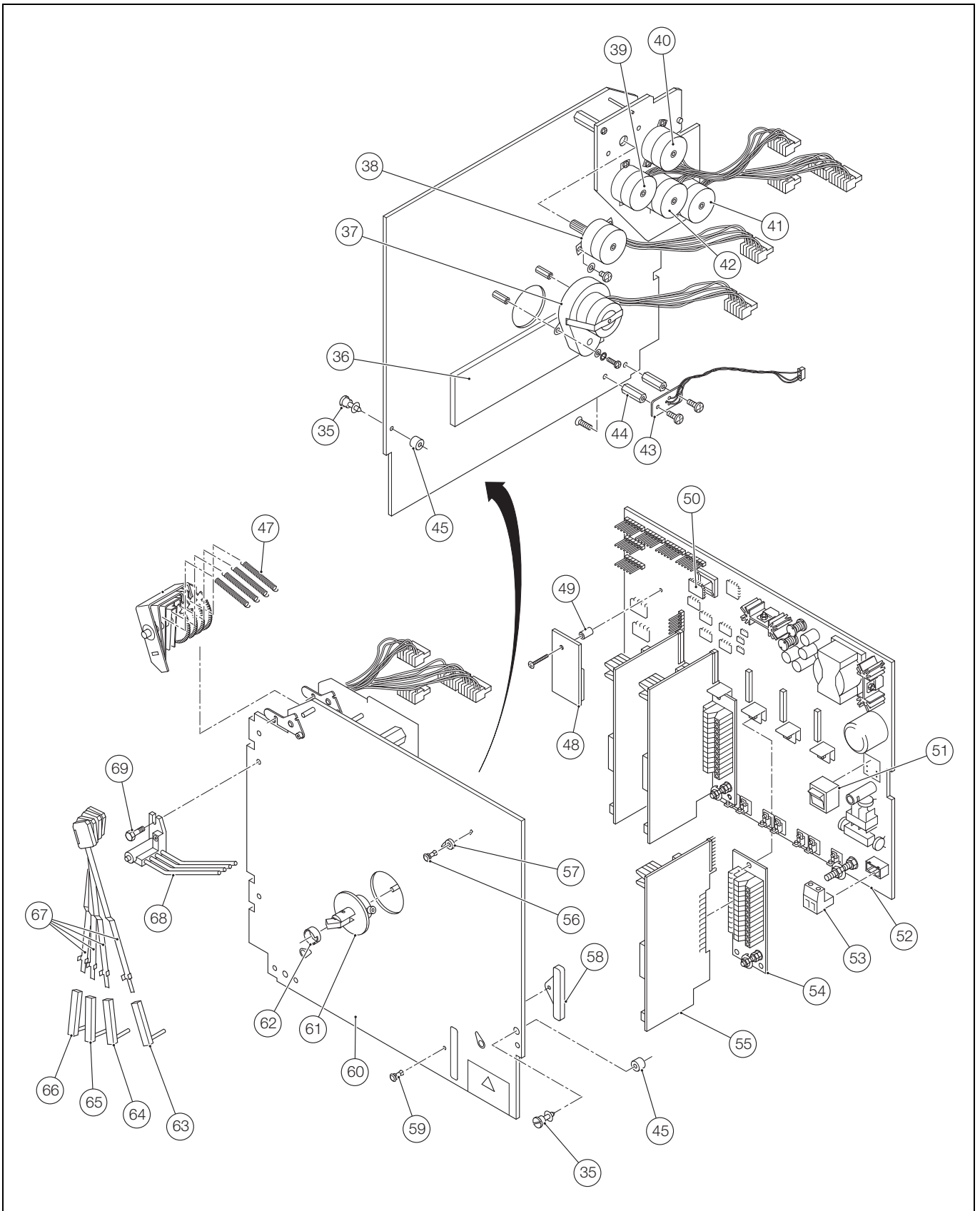


Table 1.4 C1300 Replacement Parts List – Fig. 1.4

Item No.	Description	Part Number
35	Chart plate screw	C1900/0110
36	Module board support strip	C1900/0193
37	Chart motor	C1900/0073
38	Pen motor	C1900/0070
39	Pen motor	C1900/0070
40	Pen 4 motor	C1900/0071
41	Pen lift motor	C1900/0072
42	Pen motor	C1900/0070
43	Configurator cable	C1900/1070
44	Support pillar	B12111
45	Spacer	B12283
47	Spring	C1900/0145
48	Software key (1 Totalizer, Math and Timer) complete with screw and spacer	C1300/1331
	Software key (2 Totalizer, Math and Timer) complete with screw and spacer	C1300/1332
	Software key (3 Totalizer, Math and Timer) complete with screw and spacer	C1300/1333
	Software key (4 Totalizer, Math and Timer) complete with screw and spacer	C1300/1334
49	Software key spacer	B12112
50	EPROM	C1300/2001
51	Switch option (115 V/230V)	C1900/0710
52	Mainboard (85 to 265 V)	C1300/1715
53	Mains plug	B10991
54	Terminal board assembly	C1900/0305
55	Analog I/O module	C1900/0405
	Digital output module	C1900/0326
	Digital input module	C1900/0325
	4-relay module	C1900/0285
	Serial module	C1900/0295
	Analog I/P + Relay module	C1900/0406
	Compact Flash module	C1900/0435
56	Snap rivet	B12172
57	Chart clip	C1900/0111
58	Compact Flash cover	C1900/1186
59	Snap rivet	B11192
60	Chart plate (Kent) – Excluding Pen Motors	C1900/0055
	Chart plate (Taylor) – Excluding Pen Motors	C1900/0050
	Chart plate (Chessell) – Excluding Pen Motors	C1900/0038
	Four Pen Chartplate Assy (Kent)	C1900/0736
	Four Pen Chartplate Assy (Taylor)	C1900/0737
	Four Pen Chartplate Assy (Chessell)	C1900/0738
61	Kent chart centre assembly (P105M/0052 + B11527)	C1900/0066
	Taylor/Chessell chart centre assembly (P105M/0052 + B11527 + C1900/0125)	C1900/0067
62	Chart adaptor	C1900/0125
63	Pen capsule (purple)	C1900/00123
	Pen capsule (black)	C1900/0119
64	Pen capsule (green)	C1900/0122
65	Pen capsule (red)	C1900/0121
66	Pen capsule (blue)	C1900/0120

Table. 1.4 C1300 Replacement Parts List — Fig. 1.4

Item No.	Description	Part Number
67	Pen arm assembly (Taylor)	C1900/0076
	Pen arm assembly (Kent)	C1900/0075
	Event pen arm assembly (Taylor)	C1900/0078
	Event pen arm assembly (Kent)	C1900/0077

2 Upgrade Kits

Common

Description	Part Number
Analog I/O module upgrade kit	C1900/1705
4-relay module upgrade kit	C1900/1708
MODBUS Communication module upgrade kit	C1900/1707
8-digital inputs module upgrade kit	C1900/1710
8-digital output module upgrade kit	C1900/1711
Wall mount kit	C1900/1712

C1900 Only

Kit	Description	Part Number
1	Pen 2 or 3 upgrade (Taylor)	C1900/0720
1	Pen 2 or 3 upgrade (Kent)	C1900/0726
1A	Pen 4 upgrade (Taylor)	C1900/0721
1A	Pen 4 upgrade (Kent)	C1900/0727
2	Pen 2 or 3 upgrade, Recorder overlay (Taylor)	C1900/0722
2	Pen 2 or 3 upgrade, Recorder overlay (Kent)	C1900/0728
3	Recorder to controller upgrade (Mk 1 main board)	C1900/0724
3A	Recorder to controller upgrade (Mk 2 main board)	C1900/1701
4	Pen upgrade controller overlay (Taylor)	C1900/0725
4	Pen upgrade controller overlay (Kent)	C1900/0730
5	True time event marker (Taylor)	C1900/0708
5	True time event marker (Kent)	C1900/0731
–	Analog I/O module replacement kit	C1900/1700
–	Analog I/P + relay module replacement kit	C1900/1703
–	Analog I/P + relay module upgrade kit	C1900/1709

C1300 Only

Kit	Description	Part Number
1	Pen 2 upgrade (Taylor)	C1900/1720
1	Pen 2 upgrade (Kent)	C1900/1724
1A	Pen 4 upgrade (Taylor)	C1900/1721
1A	Pen 4 upgrade (Kent)	C1900/1725
2	Pen 3 upgrade (Taylor)	C1900/1722
2	Pen 3 upgrade (Kent)	C1900/1726
3	True time event marker (Taylor)	C1900/1723
3	True time event marker (Kent)	C1900/1727
–	Compact Flash upgrade kit	C1900/1706

3 Notes

ABB has Sales & Customer Support expertise
in over 100 countries worldwide

www.abb.com

The Company's policy is one of continuous product
improvement and the right is reserved to modify the
information contained herein without notice.

Printed in UK (07.12)

© ABB 2012



ABB Limited
Howard Road, St. Neots
Cambridgeshire
PE19 8EU
UK
Tel: +44 (0)1480 475321
Fax: +44 (0)1480 217948

ABB Inc.
125 E. County Line Road
Warminster
PA 18974
USA
Tel:+1 215 674 6000
Fax:+1 215 674 7183