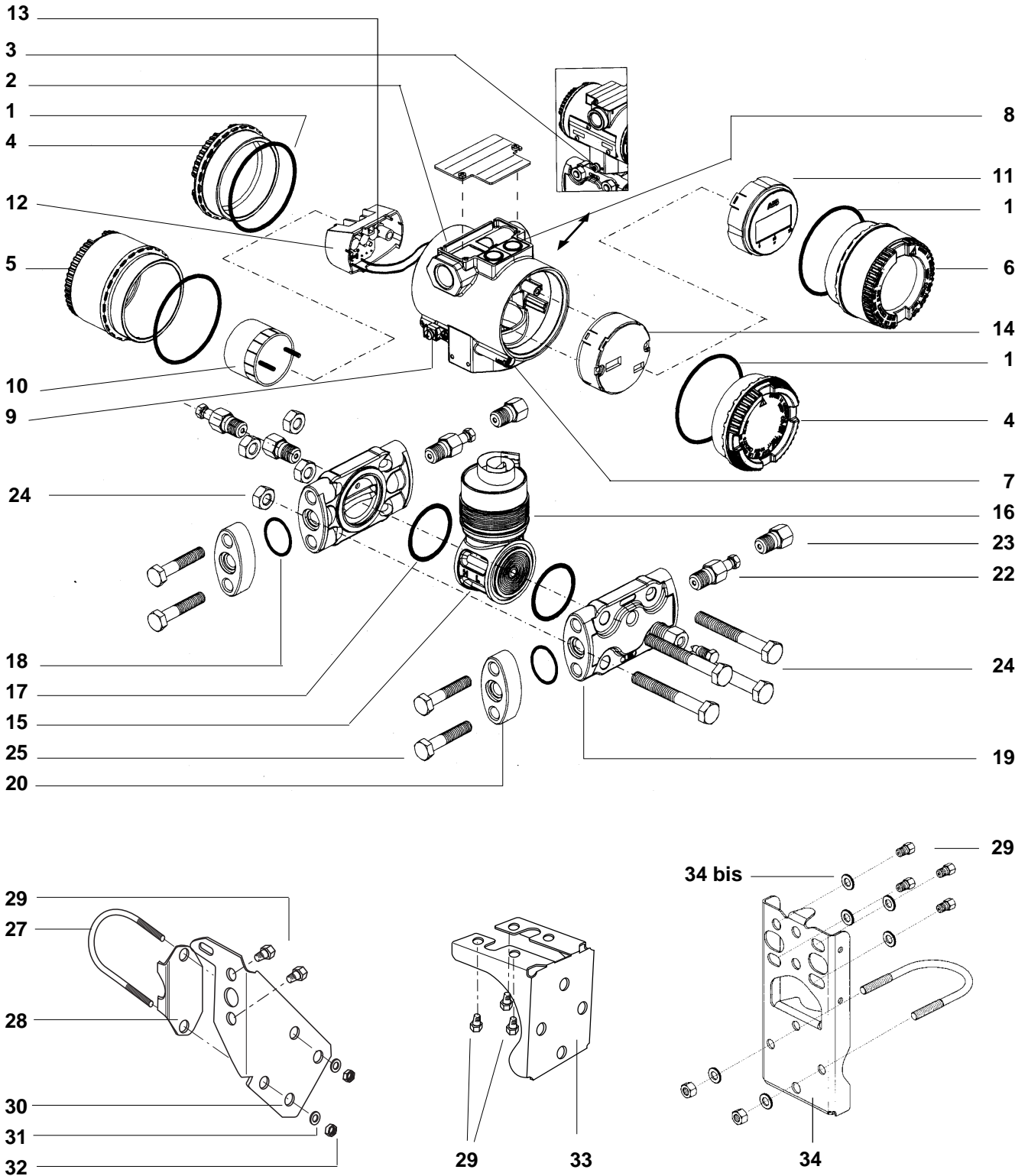
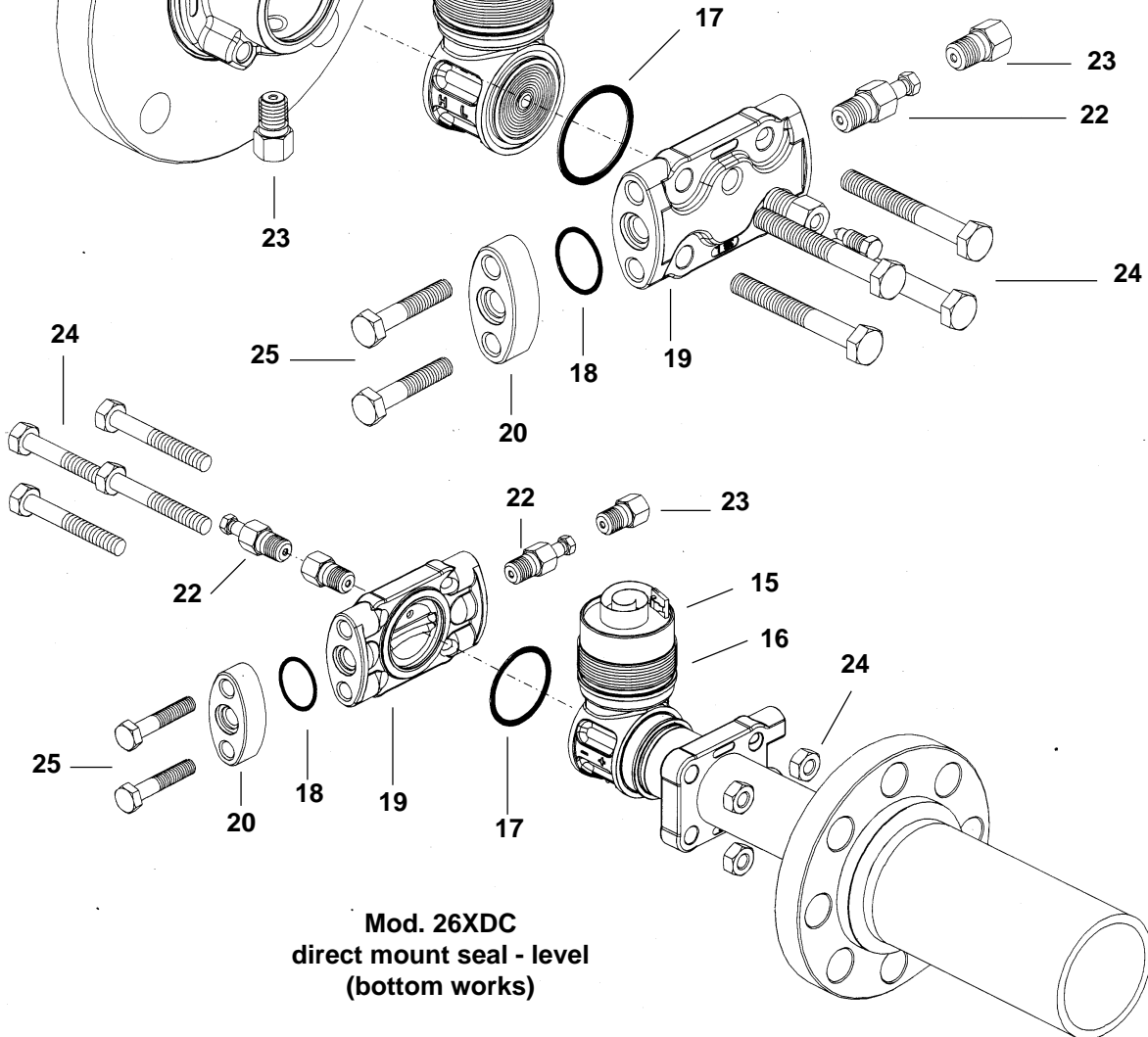
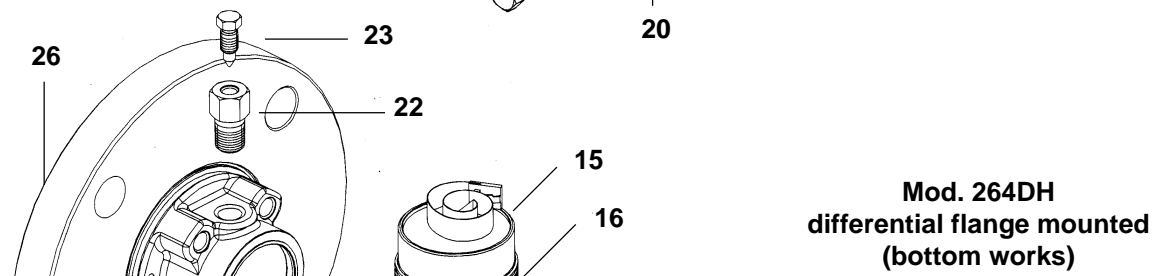
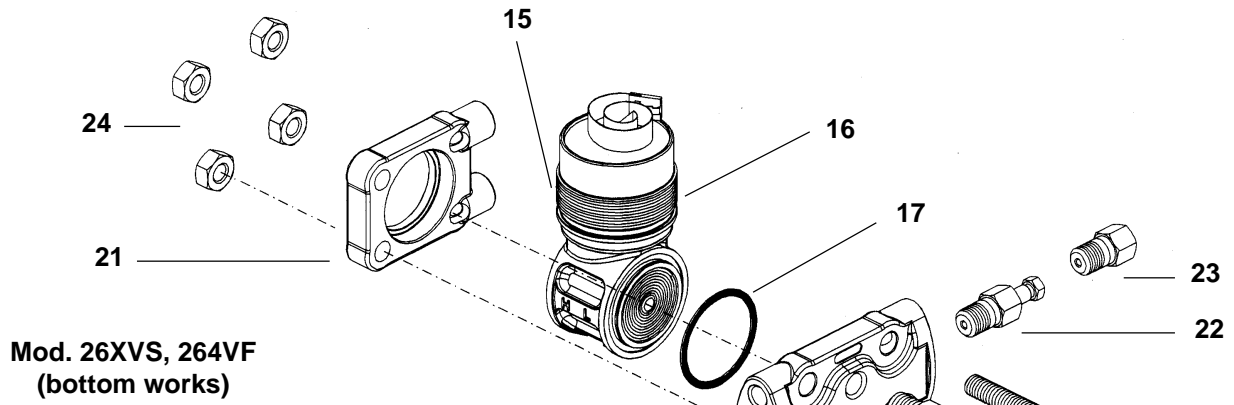


# Spares List

## 2600T Series Electronic Transmitters Models 26XDS/VS/PS, DC 264DF/VF/PF, 264BS, 264DH





**NOTE: Refer to front page for top works item identification which are the same for all models.**

| Item no. | Description  | Part N° | Q.ty per Tx |
|----------|--|---------|-------------|
| 1        | Package of 2 "O" rings for covers  | DR0023  | 1           |
| 2        | Barrel type electronics housing in aluminium, HART and 4 to 20 mA versions<br>(includes items 3, 7, 8, 9 and 12)         |         | 1           |
|          | - 1/2" NPT   | AR0306  |             |
|          | - M20  | AR0307  |             |
|          | - Pg 13.5  | AR0308  |             |
|          | - 1/2" GK  | AR0309  |             |
|          | Barrel type electronics housing in AISI 316L ss, HART and 4 to 20 mA versions<br>(includes items 3, 7, 8, 9 and 12)      |         | 1           |
|          | - 1/2" NPT   | AR0310  |             |
|          | - M20  | AR0311  |             |
|          | - Pg 13.5  | AR0312  |             |
|          | - 1/2" GK  | AR0313  |             |
|          | DIN type electronic housing in aluminium, HART and 4 to 20 mA versions<br>(includes items 3, 7, 8, 9 and 12)             |         | 1           |
|          | - Pg 13.5  | AR0314  |             |
|          | - M20  | AR0315  |             |
|          | Barrel type electronics housing in aluminium copper-free, HART version<br>(includes items 3, 7, 8, 9 and 12)             |         | 1           |
|          | - 1/2" NPT   | AR2400  |             |
|          | - M20  | AR2401  |             |
|          | - Pg 13.5  | AR2402  |             |
|          | - 1/2" GK  | AR2403  |             |
|          | Barrel type electronics housing in aluminium, Profibus and FF versions<br>(includes items 3, 7, 8, 9 and 12)             |         | 1           |
|          | - 1/2" NPT   | AR2406  |             |
|          | - M20  | AR2407  |             |
|          | - Pg 13.5  | AR2408  |             |
|          | - 1/2" GK  | AR2409  |             |
|          | Barrel type electronics housing in AISI 316L ss, Profibus and FF versions<br>(includes items 3, 7, 8, 9 and 12)          |         | 1           |
|          | - 1/2" NPT   | AR2410  |             |
|          | - M20  | AR2411  |             |
|          | - Pg 13.5  | AR2412  |             |
|          | - 1/2" GK  | AR2413  |             |
|          | DIN type electronic housing in aluminium, Profibus and FF versions<br>(includes items 3, 7, 8, 9 and 12)                 |         | 1           |
|          | - Pg 13.5  | AR2414  |             |
|          | - M20  | AR2415  |             |
|          | Barrel type electronics housing in aluminium copper-free, Profibus and FF versions<br>(includes items 3, 7, 8, 9 and 12) |         | 1           |
|          | - 1/2" NPT   | AR2416  |             |
|          | - M20  | AR2417  |             |
|          | - Pg 13.5  | AR2418  |             |
|          | - 1/2" GK  | AR2419  |             |
| 3-7      | Kit: locking screws for covers and tang  | DR0165  | 1           |
| 4        | Blind cover:   |         | 1-2         |
|          | - Aluminium  | PN0282  |             |
|          | - AISI 316 L ss  | PN0111  |             |
|          | - Aluminium copper-free  | PN0511  |             |
|          | - Aluminium Safety version   | PN0566  |             |
|          | - Aluminium copper-free Safety version   | PN0567  |             |
| 5        | Windowed cover for LCD or analog output indicator:   |         | 1           |
|          | - Aluminium  | AN0077  |             |
|          | - AISI 316 L ss  | AN0078  |             |
|          | - Aluminium copper-free  | AN0652  |             |
|          | - Aluminium Safety version   | AN1064  |             |
|          | - Aluminium copper-free Safety version   | AN1063  |             |
| 6        | Windowed cover for integral display:   |         | 1           |
|          | - Aluminium  | AN0086  |             |
|          | - AISI 316 L ss  | AN0110  |             |
|          | - Aluminium copper-free  | AN0653  |             |
| 8        | Kit push button (zero and span)  | DR0166  | 1           |
| 9        | Kit: external earth connection assembly  | DR0022  | 1           |
| 10       | Output indicator:  |         | 1           |
|          | - analog 0-100% linear scale   | EL0001  |             |
|          | - analog 0-10 square root scale  | EL0002  |             |
|          | - ProMeter LCD digital (General purpose)   | DR0206  |             |
|          | - ProMeter LCD digital (EEx ia)  | DR0207  |             |
|          | - programmable signal meter and HART configurator CoMeter (general purpose)  | DR0142  |             |
|          | - programmable signal meter and HART configurator CoMeter (Intrinsic Safety EEx ia)                                      | DR0145  |             |

| Item no. | Description  | Part N°  | Q.ty per Tx |
|----------|--|--|-------------|
| 10-1-5   | Output indicator kit complete of windowed aluminium cover and "O" ring<br>- analog 0-100% linear scale<br>- analog 0-10 square root scale<br>- ProMeter LCD digital (General purpose)<br>- ProMeter LCD digital (Intrinsic Safety EEx ia)<br>- programmable signal meter and HART configurator CoMeter (general purpose)<br>- programmable signal meter and HART configurator CoMeter (Intrinsic Safety EEx ia)                            | DR0097<br>DR0098<br>DR0209<br>DR0210<br>DR0143<br>DR0146 | 1           |
|          | Output indicator kit complete of windowed aluminium cover Safety version and "O" ring<br>- analog 0-100% linear scale<br>- analog 0-10 square root scale<br>- ProMeter LCD digital (General purpose)<br>- ProMeter LCD digital (Intrinsic Safety EEx ia)<br>- programmable signal meter and HART configurator CoMeter (general purpose)<br>- programmable signal meter and HART configurator CoMeter (Intrinsic Safety EEx ia)             | DR0226<br>DR0227<br>DR0228<br>DR0229<br>DR0231<br>DR0232 | 1           |
|          | Output indicator kit complete of windowed AISI cover and "O" ring<br>- analog 0-100% linear scale<br>- analog 0-10 square root scale<br>- ProMeter LCD digital (General purpose)<br>- ProMeter LCD digital (Intrinsic Safety EEx ia)<br>- programmable signal meter and HART configurator CoMeter (general purpose)<br>- programmable signal meter and HART configurator CoMeter (Intrinsic Safety EEx ia)                                 | DR0124<br>DR0125<br>DR0212<br>DR0213<br>DR0144<br>DR0147 | 1           |
|          | Output indicator kit complete of windowed aluminium copper-free cover and "O" ring<br>- analog 0-100% linear scale<br>- analog 0-10 square root scale<br>- ProMeter LCD digital (General purpose)<br>- ProMeter LCD digital (Intrinsic Safety EEx ia)<br>- programmable signal meter and HART configurator CoMeter (general purpose)<br>- programmable signal meter and HART configurator CoMeter (Intrinsic Safety EEx ia)                | DR0200<br>DR0201<br>DR0215<br>DR0216<br>DR0203<br>DR0204 | 1           |
|          | Output indicator kit complete of windowed aluminium copper-free cover Safety version and "O" ring<br>- analog 0-100% linear scale<br>- analog 0-10 square root scale<br>- ProMeter LCD digital (General purpose)<br>- ProMeter LCD digital (Intrinsic Safety EEx ia)<br>- programmable signal meter and HART configurator CoMeter (general purpose)<br>- programmable signal meter and HART configurator CoMeter (Intrinsic Safety EEx ia) | DR0234<br>DR0235<br>DR0236<br>DR0237<br>DR0239<br>DR0240 | 1           |
| 11       | Integral display (LCD digital $\mu$ P driven)  | AN0669   | 1           |
| 11-1-6   | Integral display kit with windowed aluminium cover and "O" ring  | DR0218   | 1           |
|          | Integral display kit with windowed AISI cover and "O" ring   | DR0219   | 1           |
|          | Integral display kit with windowed aluminium copper-free cover and "O" ring  | DR0220   | 1           |
| 12       | Terminal block assembly (Standard)   | AR0326   | 1           |
|          | Terminal block assembly (Type N)   | AR2404   | 1           |
|          | Terminal block assembly (Profibus and FF versions)   | AR2405   | 1           |
| 12-13    | Kit: terminal block complete of surge protector  | AR0328   | 1           |
| 14       | Secondary electronics module:<br>- HART<br>- Fieldbus<br>- Profibus<br>- HART Safety (SIL2)  | AU0004<br>AU0008<br>AU0011<br>AN0846                     | 1           |
| 15       | Transducer assembly (see relevant Spare Parts Code List)<br>(includes item 16)   | - -  | 1           |
| 16       | "O" ring   | 2000.9460  | 1           |
| 17       | Package of 2 "O" ring for process flange<br>- Viton (mod. 26XDS/PS/VS, DC, 264DF/PF/VF, DH)<br>- PTFE (mod. 26XDS/PS/VS, DC, 264DF/PF/VF, DH)<br>- Buna (only for mod. 264BS)<br>- EPDM (only for mod. 264BS)<br>- Viton (only for mod. 264BS)<br>- PTFE (only for mod. 264BS)   | DR0167<br>DR0168<br>DR0222<br>DR0223<br>DR0224<br>DR0225 | 1           |
| 18       | Package of 2 "O" ring for flange adapter<br>- Viton<br>- PTFE  | DR0015<br>DR0033   | 1           |

| Item no.          | Description   | Model                     | AISI 316L ss | Hastelloy C | Monel 400 | Q.ty |
|-------------------|---|---------------------------|--------------|-------------|-----------|------|
| 19                | Process flange (horizontal connection) with 1/4" NPT connection and fittings for valve on side and plug on axis   | 26XDS, 264DF              | PN0461       | PN0463      | PN0465    | 2    |
|                   |   | 26XPS/VS, DC 264PF/VF, DH | PN0461       | PN0463      | PN0465    | 1    |
|                   |   | 264BS                     | PN0611       | PN0612      | PN0613    | 2    |
|                   | Process flange (horizontal connection) with 1/4" NPT connection and fitting for valve on axis                     | 26XDS, 264DF              | PN0460       | PN0462      | PN0464    | 2    |
|                   |   | 26XPS/VS, DC 264PF/VF, DH | PN0460       | PN0462      | PN0464    | 1    |
|                   |   | 264BS                     | 736595       | 736499      | 736500    | 2    |
|                   | Process flange (vertical connection) with 1/4" NPT connection without fittings for valve on side and plug on axis | 26XDS/PS/VS 264DF/PF/VF   | PN0620       | PN0621      | PN0622    | 2    |
|                   | Process flange (vertical connection) with 1/4" NPT connection with fitting on top for valve on side               | 26XDS, 264DF              | PN0626       | PN0628      | PN0630    | 2    |
|                   |   | 26XPS/VS 264PF/VF         | PN0626       | PN0628      | PN0630    | 1    |
|                   | Process flange (vertical connection) with 1/4" NPT connection with fitting on bottom for valve on side            | 26XDS, 264DF              | PN0627       | PN0629      | PN0631    | 2    |
| 26XPS/VS 264PF/VF |   | PN0627                    | PN0629       | PN0631      | 1         |      |
| 20                | Flange adapter (for item 19)  | All                       | PN0060       | PN0066      | PN0072    | 1÷2  |
| 21                | Blind flange (horizontal connection)  | 26XVS, 264VF 264XDC       | PN0466       | --          | --        | 1    |
|                   |   | 26XPS, 264PF              | DR0169       | --          | --        | 1    |
|                   | Blind flange (vertical connection)  | 26XVS, 264VF              | PN0625       | --          | --        | 1    |
|                   |   | 26XPS, 264PF              | DR0242       | --          | --        | 1    |
| 22                | Kit: drain/vent valve (seat and stem)   | All                       | DR0018       | DR0020      | DR0021    | 1÷2  |
| 23                | Plug  | All                       | PN0154       | PN0155      | PN0156    | 1÷2  |

| Item no. | Description                             | Model | AISI 316ss | AISI 316ss NACE | Q.ty |
|----------|---|-------|------------|-----------------|------|
| 24       | Kit: bolts and nuts for process flanges | All   | DR0007     | DR0103          | 1    |
|          |   | 264BS | --         | DR0221          | 1    |
| 25       | Kit: bolts for flange adapter           | All   | DR0013     | DR0106          | 1÷2  |

| Item no. | Description  | Model | ANSI 150 R.F. | ANSI 300 R.F. | DIN ND 16 | DIN ND 40 | Q.ty |
|----------|--|-------|---------------|---------------|-----------|-----------|------|
| 26       | Mounting flange:<br>- 2in (ANSI) / DN50 (DIN)<br>- 3in (ANSI) / DN80 (DIN) | 26XDH | AR0331        | AR0334        | AR0333    | AR0333    | 1    |
|          |  |       | AR0332        | AR0335        | AR0336    | AR0337    | 1    |

**Note:** Kits contain parts for one transmitter

| Item no. | Description   | Model                           | Part No.    | Q.ty per Tx |
|----------|---|---------------------------------|-------------|-------------|
| 27       | U-bolt (AISI 400 ss)                                | 26XDS/PS/VS, 264BS, 264DF/PF/VF | AB515.01021 | 1           |
| 28       | Fitting plate<br>- Carbon steel                     |                                 | PN0074      | 1           |
|          | - AISI 316 L ss                                     |                                 | PN0124      | 1           |
| 29       | Bolts for transmitter fixing<br>- Carbon steel      |                                 | 3102.0527   | 2÷4         |
|          | - AISI 316 ss                                       |                                 | PN0181      | 2÷4         |
| 30       | Bracket (angle) for pipe mounting<br>- Carbon steel |                                 | PN0077      | 1           |
|          | - AISI 316 L ss                                     |                                 | PN0116      | 1           |
| 31       | Washer<br>- Carbon steel                            |                                 | 2023.1510   | 2           |
|          | - AISI 316 ss                                       |                                 | 2021.1538   | 2           |
| 32       | Nut<br>- Carbon steel                               |                                 | 2010.1211   | 2           |
|          | - AISI 316 ss                                       |                                 | 2010.1238   | 2           |
| 33       | Bracket for wall mounting<br>- Carbon steel         |                                 | PN0210      | 1           |
|          | - AISI 316 L ss                                     |                                 | PN0211      | 1           |
| 27 to 32 | Bracket kit for pipe mounting<br>- Carbon steel     |                                 | DR0058      | 1           |
|          | - AISI ss   |                                 | DR0059      | 1           |
| 29-33    | Bracket kit for wall mounting<br>- Carbon steel     |                                 | DR0061      | 1           |
|          | - AISI ss   |                                 | DR0062      | 1           |
| 34       | AISI ss Bracket flat type for box                   |                                 | AB515.04180 | 1           |
| 34bis    | AISI ss Bracket kit flat type for box               |                                 | DR0085      | 1           |

# Spare Parts Code List

# 2600T Series Electronic Transmitters Transducer Assembly for pressure Tx's Mod. T264DS differential Mod. T264PS gauge Mod. T264VS absolute Mod. T264BS differential (high static)

|                            |                             |                   | Code   |        |        |        |
|----------------------------|-----------------------------|-------------------|--------|--------|--------|--------|
| <b>MEASUREMENT</b>         |                             |                   |        |        |        |        |
| Differential               |                             |                   | T264DS |        |        |        |
| Differential Gauge         |                             |                   |        | T264PS |        |        |
| Differential Absolute      |                             |                   |        |        | T264VS |        |
| Differential (high static) |                             |                   |        |        |        | T264BS |
| <b>SPAN LIMITS</b>         |                             |                   |        |        |        |        |
| 0.134 and 4 kPa            | 1.34 and 40 mbar            | 0.54 and 16 inH2O | B      | B      |        |        |
| 0.27 and 16 kPa            | 2.7 and 160 mbar            | 1.08 and 64 inH2O | E      | E      |        |        |
| 0.4 and 40 kPa             | 4 and 400 mbar              | 1.6 and 160 inH2O | F      | F      |        |        |
| 0.65 and 65 kPa            | 6.5 and 650 mbar            | 2.6 and 260 inH2O | G      | G      |        |        |
| 1.6 and 160 kPa            | 16 and 1600 mbar            | 6.4 and 642 inH2O | H      | H      |        |        |
| 6 and 600 kPa              | 0.06 and 6 bar              | 0.87 and 87 psi   | M      | M      |        |        |
| 24 and 2400 kPa            | 0.24 and 24 bar             | 3.5 and 348 psi   | P      | P      |        |        |
| 80 and 8000 kPa            | 0.8 and 80 bar              | 11.6 and 1160 psi | Q      | Q      |        |        |
| 160 and 16000 kPa          | 1.6 and 160 bar             | 23.2 and 2320 psi | S      | S      |        |        |
| 0.2 and 6 kPa              | 2 and 60 mbar               | 0.8 and 24 inH2O  |        |        |        | C      |
| 0.4 and 40 kPa             | 4 and 400 mbar              | 1.6 and 160 inH2O |        |        |        | F      |
| 2.5 and 250 kPa            | 25 and 2500 mbar            | 10 and 1000 inH2O |        |        |        | L      |
| 20 and 2000 kPa            | 0.2 and 20 bar              | 2.9 and 290 psi   |        |        |        | N      |
| 0.27 and 16 kPa            | 2.7 and 160 mbar            | 2 and 120 mmHg    |        |        | E      |        |
| 0.67 and 40 kPa            | 6.7 and 400 mbar            | 5 and 300 mmHg    |        |        | F      |        |
| 1.1 and 65 kPa             | 11 and 650 mbar             | 8 and 480 mmHg    |        |        | G      |        |
| 2.67 and 160 kPa           | 26.7 and 1600 mbar          | 20 and 1200 mmHg  |        |        | H      |        |
| 10 and 600 kPa             | 0.1 and 6 bar               | 1.45 and 87 psi   |        |        | M      |        |
| 40 and 2400 kPa            | 0.4 and 24 bar              | 5.8 and 348 psi   |        |        | P      |        |
| 134 and 8000 kPa           | 1.34 and 80 bar             | 19.4 and 1160 psi |        |        | Q      |        |
| 267 and 16000 kPa          | 2.67 and 160 bar            | 38.7 and 2320 psi |        |        | S      |        |
| Use code                   |                             |                   | S      | S      | S      |        |
| <b>Diaphragm material</b>  | <b>Fill fluid</b>           |                   |        |        |        |        |
| AISI 316 L ss              | Silicone oil (Note 2)       |                   | S      | S      | S      | S      |
| Hastelloy C276 (AISI seat) | Silicone oil                |                   | H      | H      | H      | H      |
| Hastelloy C276             | Silicone oil                |                   | K      | K      | K      | K      |
| Monel 400                  | Silicone oil (Note 2)       |                   | M      | M      |        | M      |
| Tantalum                   | Silicone oil (Note 2)       |                   | T      | T      |        |        |
| AISI 316 L ss              | Inert fluid (Notes 1, 2, 3) |                   | A      | A      | A      | A      |
| Hastelloy C276 (AISI seat) | Inert fluid (Notes 1, 2, 3) |                   | B      | B      | B      | B      |
| Hastelloy C276             | Inert fluid (Notes 1, 2, 3) |                   | F      | F      | F      | F      |
| Monel 400                  | Inert fluid (Notes 1, 2)    |                   | C      | C      |        |        |
| Tantalum                   | Inert fluid (Notes 1, 2)    |                   | D      | D      |        | D      |
| AISI 316 L ss              | ABB fill (Notes 2, 3)       |                   | L      | L      | L      |        |
| Hastelloy C276 (AISI seat) | ABB fill (Note 3)           |                   | Q      | Q      | Q      |        |
| Hastelloy C276             | ABB fill (Note 3)           |                   | P      | P      | P      |        |

Note 1: Suitable for oxygen service  
 Note 2: Not available with sensor code B (T264DS/PS only)  
 Note 3: Not available with sensor code E (T264VS only)

Hastelloy is a Cabot Corporation trademark  
 Monel is an International Nickel Co. trademark

# Spare Parts Code List

# 2600T Series Electronic Transmitters Transducer Assembly for Safety pressure transmitters Mod. T268DS differential Mod. T268PS gauge Mod. T268VS absolute

|                              |                    |                             | Code   |        |        |
|------------------------------|--------------------|-----------------------------|--------|--------|--------|
| <b>MEASUREMENT</b>           |                    |                             |        |        |        |
| Safety Differential          |                    |                             | T268DS |        |        |
| Safety Differential Gauge    |                    |                             |        | T268PS |        |
| Safety Differential Absolute |                    |                             |        |        | T268VS |
| <b>SPAN LIMITS</b>           |                    |                             |        |        |        |
| 0.134 and 4 kPa              | 1.34 and 40 mbar   | 0.54 and 16 inH2O           | B      | B      |        |
| 0.27 and 16 kPa              | 2.7 and 160 mbar   | 1.08 and 64 inH2O           | E      | E      |        |
| 0.4 and 40 kPa               | 4 and 400 mbar     | 1.6 and 160 inH2O           | F      | F      |        |
| 0.65 and 65 kPa              | 6.5 and 650 mbar   | 2.6 and 260 inH2O           | G      | G      |        |
| 1.6 and 160 kPa              | 16 and 1600 mbar   | 6.4 and 642 inH2O           | H      | H      |        |
| 6 and 600 kPa                | 0.06 and 6 bar     | 0.87 and 87 psi             | M      | M      |        |
| 24 and 2400 kPa              | 0.24 and 24 bar    | 3.5 and 348 psi             | P      | P      |        |
| 80 and 8000 kPa              | 0.8 and 80 bar     | 11.6 and 1160 psi           | Q      | Q      |        |
| 160 and 16000 kPa            | 1.6 and 160 bar    | 23.2 and 2320 psi           | S      | S      |        |
| 0.27 and 16 kPa              | 2.7 and 160 mbar   | 2 and 120 mmHg              |        |        | E      |
| 0.67 and 40 kPa              | 6.7 and 400 mbar   | 5 and 300 mmHg              |        |        | F      |
| 1.1 and 65 kPa               | 11 and 650 mbar    | 8 and 480 mmHg              |        |        | G      |
| 2.67 and 160 kPa             | 26.7 and 1600 mbar | 20 and 1200 mmHg            |        |        | H      |
| 10 and 600 kPa               | 0.1 and 6 bar      | 1.45 and 87 psi             |        |        | M      |
| 40 and 2400 kPa              | 0.4 and 24 bar     | 5.8 and 348 psi             |        |        | P      |
| 134 and 8000 kPa             | 1.34 and 80 bar    | 19.4 and 1160 psi           |        |        | Q      |
| 267 and 16000 kPa            | 2.67 and 160 bar   | 38.7 and 2320 psi           |        |        | S      |
| Use code                     |                    |                             | S      | S      | S      |
| <b>Diaphragm material</b>    |                    | <b>Fill fluid</b>           |        |        |        |
| AISI 316 L ss                |                    | Silicone oil (Note 2)       | S      | S      | S      |
| Hastelloy C276 (AISI seat)   |                    | Silicone oil                | H      | H      | H      |
| Hastelloy C276               |                    | Silicone oil                | K      | K      | K      |
| Monel 400                    |                    | Silicone oil (Note 2)       | M      | M      |        |
| Tantalum                     |                    | Silicone oil (Note 2)       | T      | T      |        |
| AISI 316 L ss                |                    | Inert fluid (Notes 1, 2, 3) | A      | A      | A      |
| Hastelloy C276 (AISI seat)   |                    | Inert fluid (Notes 1, 2, 3) | B      | B      | B      |
| Hastelloy C276               |                    | Inert fluid (Notes 1, 2, 3) | F      | F      | F      |
| Monel 400                    |                    | Inert fluid (Notes 1, 2)    | C      | C      |        |
| Tantalum                     |                    | Inert fluid (Notes 1, 2)    | D      | D      |        |
| AISI 316 L ss                |                    | ABB fill (Notes 2, 3)       | L      | L      | L      |
| Hastelloy C276 (AISI seat)   |                    | ABB fill (Note 3)           | Q      | Q      | Q      |
| Hastelloy C276               |                    | ABB fill (Note 3)           | P      | P      | P      |

Note 1: Suitable for oxygen service  
 Note 2: Not available with sensor code B (T268DS/PS only)  
 Note 3: Not available with sensor code E (T268VS only)

Hastelloy is a Cabot Corporation trademark  
 Monel is an International Nickel Co. trademark



# Spare Parts Code List

# 2600T Series Electronic Transmitters Transducer Assembly for pressure transmitters (fast) Mod. T264DF differential Mod. T264PF gauge Mod. T264VF absolute

|                              |                             |                   | Code   |        |        |
|------------------------------|-----------------------------|-------------------|--------|--------|--------|
| <b>MEASUREMENT</b>           |                             |                   |        |        |        |
| Differential (fast)          |                             |                   | T264DF |        |        |
| Differential Gauge (fast)    |                             |                   |        | T264PF |        |
| Differential Absolute (fast) |                             |                   |        |        | T264VF |
| <b>SPAN LIMITS</b>           |                             |                   |        |        |        |
| 0.134 and 4 kPa              | 1.34 and 40 mbar            | 0.54 and 16 inH2O | B      | B      |        |
| 0.27 and 16 kPa              | 2.7 and 160 mbar            | 1.08 and 64 inH2O | E      | E      |        |
| 0.4 and 40 kPa               | 4 and 400 mbar              | 1.6 and 160 inH2O | F      | F      |        |
| 0.65 and 65 kPa              | 6.5 and 650 mbar            | 2.6 and 260 inH2O | G      | G      |        |
| 1.6 and 160 kPa              | 16 and 1600 mbar            | 6.4 and 642 inH2O | H      | H      |        |
| 0.27 and 16 kPa              | 2.7 and 160 mbar            | 2 and 120 mmHg    |        |        | E      |
| 0.67 and 40 kPa              | 6.7 and 400 mbar            | 5 and 300 mmHg    |        |        | F      |
| 1.1 and 65 kPa               | 11 and 650 mbar             | 8 and 480 mmHg    |        |        | G      |
| 2.67 and 160 kPa             | 26.7 and 1600 mbar          | 20 and 1200 mmHg  |        |        | H      |
| Use code                     |                             |                   | S      | S      | S      |
| <b>Diaphragm material</b>    | <b>Fill fluid</b>           |                   |        |        |        |
| AISI 316 L ss                | Silicone oil (Note 2)       |                   | S      | S      | S      |
| Hastelloy C276 (AISI seat)   | Silicone oil                |                   | H      | H      | H      |
| Hastelloy C276               | Silicone oil                |                   | K      | K      | K      |
| Monel 400                    | Silicone oil (Note 2)       |                   | M      | M      |        |
| Tantalum                     | Silicone oil (Note 2)       |                   | T      | T      |        |
| AISI 316 L ss                | Inert fluid (Notes 1, 2, 3) |                   | A      | A      | A      |
| Hastelloy C276 (AISI seat)   | Inert fluid (Notes 1, 2, 3) |                   | B      | B      | B      |
| Hastelloy C276               | Inert fluid (Notes 1, 2, 3) |                   | F      | F      | F      |
| Monel 400                    | Inert fluid (Notes 1, 2)    |                   | C      | C      |        |
| Tantalum                     | Inert fluid (Notes 1, 2)    |                   | D      | D      |        |
| AISI 316 L ss                | ABB fill (Notes 2, 3)       |                   | L      | L      | L      |
| Hastelloy C276 (AISI seat)   | ABB fill (Note 3)           |                   | Q      | Q      | Q      |
| Hastelloy C276               | ABB fill (Note 3)           |                   | P      | P      | P      |

Note 1: Suitable for oxygen service

Note 2: Not available with sensor code B (T264DF/PF only)

Note 3: Not available with sensor code E (T264VF only)

Hastelloy is a Cabot Corporation trademark

Monel is an International Nickel Co. trademark



ABB Ltd  
Howard Road, St. Neots  
Cambridgeshire, PE19 3EU  
UK  
Tel: +44(0)1480 475321  
Fax: +44(0)1480 217948

ABB Inc.  
125 E. County Line Road  
Warminster, PA 18974  
USA  
Tel: +1 215 674 6000  
Fax: +1 215 674 7183

ABB SACE spa  
Business Unit Instrumentation  
Via Statale 113  
22016 Lenno (CO) Italy  
Tel: +39 0344 58111  
Fax: +39 0344 56278

ABB Automation Products GmbH  
Schillerstrasse 72  
D-32425 Minden  
Germany  
Tel: +49 (0) 571 830 1691  
Fax: +49 (0) 571 830 1368

The Company's policy is one of continuous product improvement and the right is reserved to modify the specifications contained herein without notice.