



LevelTRAN Liquid Level Transmitter

Features Include

- ◆ *Designed for greater reliability*
- ◆ *4-20 mA Output for Monitoring or Control*
- ◆ *Simplified servicing and maintenance*
- ◆ *Fast thermal recovery*
- ◆ *No position sensitivity*
- ◆ *Simplified calibration*
- ◆ *Greater long term stability*

Hydrostatic Pressure Measurement

Measuring hydrostatic head pressure created by liquid depth in the tank, they transmit a 4-20 mA proportional output suitable for process control or tank level indication. This approach ensures consistent measurement because it is based on the total mass of the liquid not its relative volume or displacement.

Ease of Maintenance

The face of the sensing element is intended to reduce exposure to accidental impact. In the rare situation in which extreme physical damage occurs, the sensing element can be field replaced in minutes without elaborate calibration. Span adjustments are eliminated with the LevelTRAN transmitter. Zero trim is the only long-term maintenance procedure necessary and readily accessible even when the transmitter location may be difficult to access.

KING-GAGE® LevelTRAN transmitters are designed for greater durability within today's process environment. Add to their rugged reliability the major benefits of simplified service and maintenance. Performance characteristics of our transmitter include excellent stability and repeatability (better than 0.02% FS). LevelTRAN transmitter is

applicable to most tanks or process vessels whose contents remain at normal atmospheric pressure. The proportional 4-20 mAdc output signal is compatible with PLCs or other control architecture using analog I/O. Accurate tank gauging can be achieved using KING-GAGE® indicators or tank processors that further enable digital communications.



Service and Replacement Parts

Field replacement of the sensing element is a key feature of the LevelTRAN transmitter. It provides for quick servicing of the transmitter without the need for extensive calibration. Replacement sensing elements provide guaranteed accuracy upon installation.



**Field Serviceable
in Minutes!**

1204 Main Street • Sebastian, Florida 32958
Phone: 772-581-0477 • Fax: 772-581-0481



Specifications

Pressure Ranges

0-5, 0-10, 0-15, 0-30, 0-50 PSIG
(Gage pressure measured relative to ambient atmospheric pressure)

Accuracy

Less than + 0.15% FS, typical. (Less than + 0.20% FS, worst case)
Includes linearity, hysteresis, non-repeatability errors.

Pressure Media

Gas or Liquids compatible with 316 stainless steel (diaphragm); silicone rubber (O-ring). All other wetted parts 316L.

Electrical

Input Voltage (excitation):
18-32 Vdc

Output (dc current):
4-20 milliamperes; 16 mA span

Stability

Less than 0.003 mA change in output current per volt change at input terminals

Linearity (Worst Case)

Less than + 0.13% FS
Hysteresis (Worst Case)
Less than 0.05% FS

Non-Repeatability (Worst Case)

Less than 0.02% FS

Operating Temperature Range

0°F to 175°F / -17°C to 79°C



Transmitter with Junction Enclosure (Includes Flexible Conduit)

LevelTRAN offers a choice of configurations to match your application needs. Order the transmitter either as an integral stainless steel housing or with the remote junction enclosure (includes 15 feet of flexible conduit). This latter package makes adjustments and termination points readily available even when transmitter location may be difficult to access.

LevelTRAN Model 5411 (Standard Mount)

Standard mount mates to our flush weld-in shell 1777 for typical Insulated wall tanks. Also used for retrofits on single wall tanks having other manufacturers' tank fittings. Includes 15 feet of flexible conduit and junction enclosure as shown.



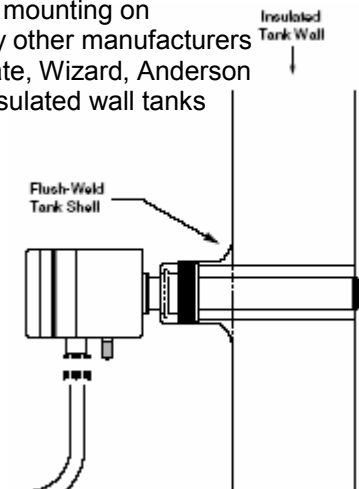
Transmitter with Integral Stainless Steel Housing

LevelTRAN Model 5412 (Long Mount)

The longer housing is designed for flush mounting on Insulated tanks having existing fittings by other manufacturers (e.g., Cherry-Burrell LevelMatic, TankMate, Wizard, Anderson Instrument). Also applicable to thicker insulated wall tanks (up to 6.75 in.) using King shell 1777-3.

LevelTRAN Model 5410 (Short Mount)

Mates to short weld-in shell 1777-2 or sanitary clamp adapter. Used for single wall (non-insulated) tanks.

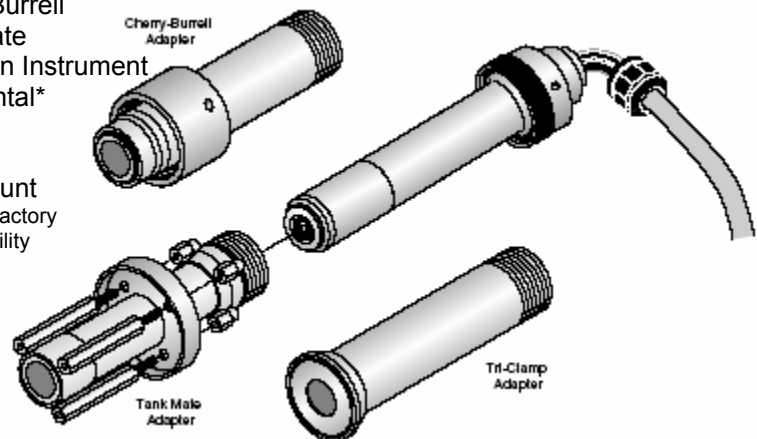


Mounting Options

Mounting adapter mates with typical 2" Tri-Clover sanitary fitting. Quick release clamp is not included. Adapters are available for the following manufacturer's transmitter tank shells or sanitary mounting flanges:

Cherry Burrell
Tank Mate
Anderson Instrument
Continental*
Wizard*
Foxboro
Rosemount

* Consult factory for availability



Box 1228, Ann Arbor, Michigan 48106-1228 U.S.A.
Phone: (734) 662-5691 • FAX: (734) 662-6652

© KING-GAGE and the KE emblem are registered trademarks of King Engineering Corp.

© 2002 King Engineering Corporation. All rights reserved.

1204 Main Street • Sebastian, Florida 32958
Phone: 772-581-0477 • Fax: 772-581-0481

www.wisnercontrols.com